



# JS Hardware

Jiangsu Shuanghui Power Development Co., Ltd.

## HARDWARE FITTINGS FOR INSULATOR STRING CATALOG





# HARDWARE FITTINGS FOR INSULATOR STRING



Q, QP Ball-eyes



Shackles



QH Ball-eyes



ZH Link



PH Extension Ring



Strengthened Shackles



UB, Z Clevis Hinges



ZBS, ZBD Clevises



W Socket Eyes



WS Socket Clevises



YL Extension Rods



P Double Straps



GDTower-connecting Hinges



QY Towing Plates



L Yoke Plates



DB Adjusting Plates



LK Yoke Plates



LL Yoke Plates



LX Yoke Plates



LXV Yoke Plates



LK6 Yoke Plates (for 750kV line)



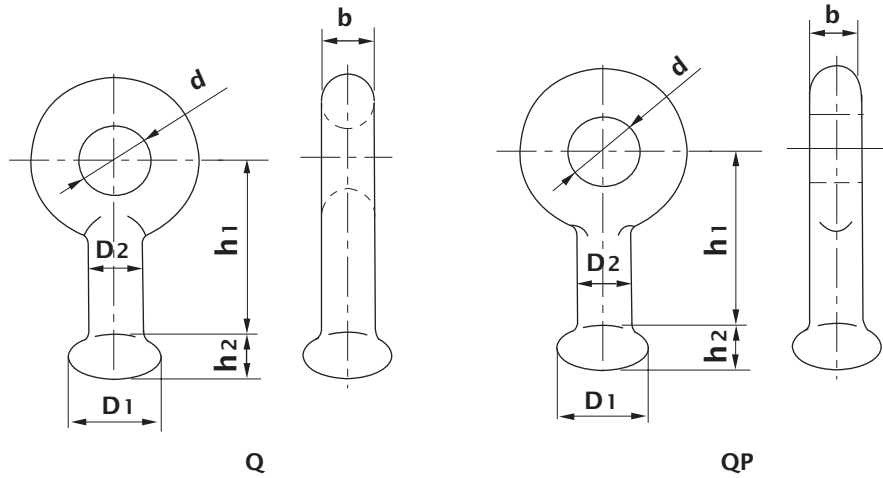
LC6 Yoke Plates (For 750kV line)



LV Yoke Plates

1. Ball Eyes (Type Q, QP)

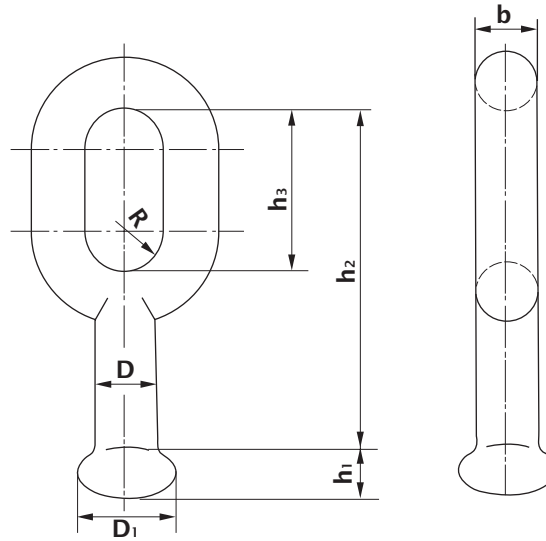
Material : Galvanized forged steel



Catalog Number	Dimensions mm (in)						Failure Load kN (LBS)	Weight kg (LBS)
	D1	D2	d	b	h1	h2		
Q-7	33.3 (1.311)	17 (0.669)	22 (0.866)	16 (0.630)	50 (1.969)	13.4 (0.528)	70 (15715)	0.3 (0.66)
QP-4	22.8 (0.898)	12 (0.472)	14 (0.551)	12 (0.472)	35 (1.378)	9.1 (0.358)	40 (8980)	0.1 (0.22)
QP-7	33.3 (1.311)	17 (0.669)	22 (0.866)	16 (0.630)	50 (1.969)	13.4 (0.528)	70 (15715)	0.3 (0.66)
QP-10	33.3 (1.311)	17 (0.669)	22 (0.866)	16 (0.630)	50 (1.969)	13.4 (0.528)	100 (22450)	0.3 (0.66)
QP-12	33.3 (1.311)	17 (0.669)	24 (0.945)	17 (0.669)	55 (2.165)	13.4 (0.528)	120 (26940)	0.4 (0.88)
QP-12G	33.3 (1.311)	17 (0.669)	24 (0.945)	17 (0.669)	60 (2.362)	13.4 (0.528)	120 (269400)	0.4 (0.88)
QP-16	41.0 (1.614)	21 (0.827)	26 (1.024)	20 (0.787)	60 (2.362)	19.5 (0.768)	160 (35920)	0.5 (1.10)
QP-21	49.0 (1.929)	25 (0.984)	30 (1.181)	24 (0.945)	80 (3.150)	21.0 (0.827)	210 (47145)	1.0 (2.20)
QP-21D	41.0 (1.614)	21 (0.827)	29 (1.142)	21 (0.827)	70 (2.756)	19.5 (0.768)	210 (47145)	1.0 (2.20)
QP-25	49.0 (1.929)	25 (0.984)	33 (1.299)	28 (1.102)	80 (3.150)	21.0 (0.827)	250 (56125)	1.1 (2.42)
QP-30	49.0 (1.929)	25 (0.984)	39 (1.535)	28 (1.102)	80 (3.150)	21.0 (0.827)	300 (67350)	1.1 (2.42)
QP-16S	41.0 (1.614)	21 (0.827)	26 (1.024)	18 (0.709)	60 (2.362)	19.5 (0.768)	160 (35920)	0.5 (1.10)
QP-21S	41.0 (1.614)	21 (0.827)	26 (1.024)	20 (0.787)	80 (3.150)	19.5 (0.768)	210 (47145)	0.7 (1.54)
QP-25S	49.0 (1.929)	25 (0.984)	30 (1.181)	24 (0.945)	80 (3.150)	21.0 (0.827)	250 (56125)	1.0 (2.20)
QP-32S	49.0 (1.929)	25 (0.984)	33 (1.299)	28 (1.102)	80 (3.150)	21.0 (0.827)	320 (71840)	1.2 (2.64)
QP-42S	57.0 (2.244)	29 (1.142)	39 (1.535)	32 (1.260)	100 (3.937)	23.5 (0.925)	420 (94290)	1.5 (3.30)
QP-55S	65.0 (2.559)	33 (1.299)	45 (1.772)	36 (1.417)	110 (4.331)	27.0 (1.063)	550 (123475)	2.6 (5.73)

2. Ball Eyes (Type QH)

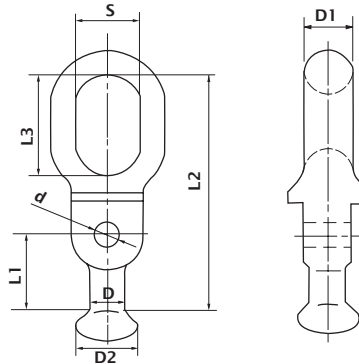
Material : Galvanized forged steel



Catalog Number	Dimensions mm (in)							Failure Load kN (LBS)	Weight kg (LBS)
	h1	h2	h3	R	D	D1	b		
QH-7	13.4 (0.528)	114 (4.5)	57 (2.244)	11 (0.433)	17 (0.669)	33.3 (1.311)	16 (0.630)	70 (15715)	0.6 (1.32)
QH-10	13.4 (0.528)	110 (4.3)	60 (2.362)	11 (0.433)	17 (0.669)	33.3 (1.311)	18 (0.709)	100 (22450)	1.1 (2.42)
QH-12	13.4 (0.528)	120 (4.7)	63 (2.480)	11 (0.433)	17 (0.669)	33.3 (1.311)	19 (0.748)	120 (26940)	1.3 (2.86)
QH-16S	19.5 (0.768)	155 (6.1)	100 (3.937)	17 (0.669)	21 (0.827)	41.0 (1.614)	20 (0.787)	160 (35920)	1.2 (2.64)
QH-21S	19.5 (0.768)	155 (6.1)	100 (3.937)	17 (0.669)	21 (0.827)	41.0 (1.614)	20 (0.787)	210 (47145)	1.2 (2.64)
QH-25S	21.0 (0.827)	165 (6.5)	100 (3.937)	17 (0.669)	25 (0.984)	49.0 (1.929)	24 (0.945)	250 (56125)	1.8 (3.96)
QH-32S	21.0 (0.827)	175 (6.9)	110 (4.331)	17 (0.669)	25 (0.984)	49.0 (1.929)	28 (1.102)	320 (71840)	2.2 (4.85)
QH-42S	23.5 (0.925)	200 (7.9)	120 (4.724)	20 (0.787)	29 (1.142)	57.0 (2.244)	32 (1.260)	420 (94290)	3.4 (7.49)
QH-55S	27 (1.063)	240 (9.4)	130 (5.118)	21 (0.827)	33 (1.299)	65.0 (2.559)	36 (1.417)	550 (123475)	6.1 (13.44)
QH-21220S	19.5 (0.768)	200 (7.9)	150 (5.906)	17 (0.669)	21 (0.827)	41.0 (1.614)	20 (0.787)	210 (47145)	1.7 (3.74)
QH-7A	13.4 (0.528)	90 (3.5)	52 (2.047)	11 (0.433)	17 (0.669)	--	16 (0.630)	70 (15715)	0.5 (1.10)
QH-16	19.5 (0.768)	130 (5.1)	70 (2.756)	13 (0.512)	26 (1.024)	--	20 (0.787)	160 (35920)	1.0 (2.20)
For 750KV lines									
QH-2120	19.5 (0.768)	140 (5.5)	85 (3.346)	13 (0.512)	21 (0.827)	--	20 (0.787)	210 (47145)	1.2 (2.64)
QH-3224	21 (0.827)	175 (6.9)	110 (4.331)	16 (0.630)	25 (0.984)	--	28 (1.102)	320 (71840)	2.2 (4.85)

3. Ball Eyes (Type Parallel)

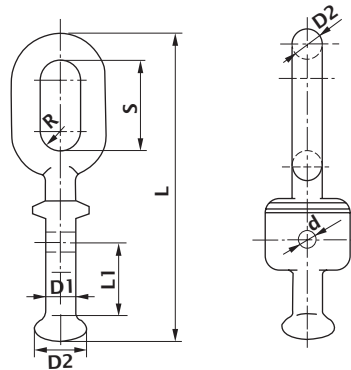
Material : Galvanized forged steel



Catalog Number	Dimensions mm (in)								Failure Load kN (LBS)	Weight kg (LBS)
	L1	L2	L3	S	D	D1	D2	d		
Q-7M	40 (1.575)	136 (5.4)	55 (2.165)	20 (0.787)	16 (0.630)	16 (0.630)	33.3 (1.311)	14 (0.551)	70 (15715)	1.1 (2.42)
Q-12M	40 (1.575)	145 (5.7)	70 (2.756)	24 (0.945)	17 (0.669)	16 (0.630)	33.3 (1.311)	14 (0.551)	120 (26940)	1.3 (2.86)
Q-7AH	60 (2.362)	130 (5.1)	50 (1.969)	18 (0.709)	16 (0.630)	16 (0.630)	33.3 (1.311)	14 (0.551)	70 (15715)	1.0 (2.20)
Q-7M1	40 (1.575)	130 (5.1)	55 (2.165)	22 (0.866)	17 (0.669)	16 (0.630)	33.3 (1.311)	14 (0.551)	70 (15715)	1.1 (2.42)
Q-12AH	42 (1.654)	145 (5.7)	70 (2.756)	22 (0.866)	17 (0.669)	18 (0.709)	33.3 (1.311)	14 (0.551)	120 (26940)	1.2 (2.64)
Q-20M1	56 (2.205)	145 (5.7)	65 (2.559)	30 (1.181)	21 (0.827)	20 (0.787)	41.0 (1.614)	14 (0.551)	200 (44900)	1.4 (3.08)

4. Ball Eyes (Type Perpendicular)

Material : Galvanized forged steel

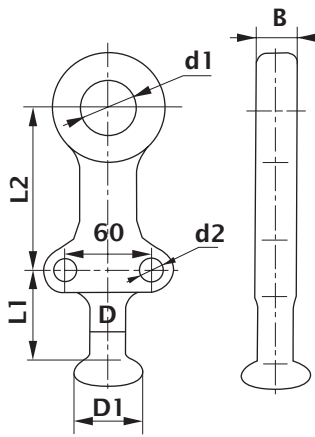


Catalog Number	Dimensions mm (in)								Failure Load kN (LBS)	Weight kg (LBS)
	L	L1	D1	D2	D3	S	R	d		
Q-7N	142 (5.6)	42 (1.654)	16 (0.630)	16 (0.630)	33.3 (1.311)	50 (1.969)	12.5 (0.492)	14 (0.551)	70 (15715)	1.2 (2.64)
Q-12N	173 (6.8)	56 (2.205)	18 (0.709)	18 (0.709)	33.3 (1.311)	64 (2.520)	12 (0.472)	14 (0.551)	120 (26940)	1.5 (3.30)
Q-16N	168 (6.6)	42 (1.654)	20 (0.787)	20 (0.787)	41.0 (1.614)	75 (2.953)	15 (0.591)	14 (0.551)	160 (35920)	1.5 (3.30)

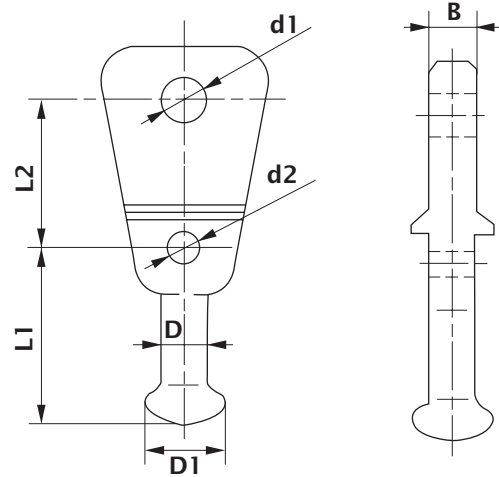


5. Ball Eyes

Material : Galvanized forged steel



(Fig 1)

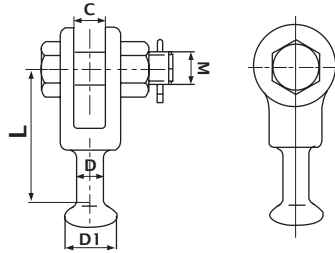


(Fig 2)

Catalog Number	Fig No.	Dimensions mm (in)							Failure Load kN (LBS)	Weight kg (LBS)
		L1	L2	D	D1	d1	d2	B		
Q-7P	2	42 (1.654)	60 (2.362)	17 (0.669)	33.3 (1.311)	18 (0.709)	14 (0.551)	16 (0.630)	70 (15715)	1.1 (2.42)
Q-12P	2	57 (2.244)	65 (2.559)	17 (0.669)	33.3 (1.311)	24 (0.945)	14 (0.551)	16 (0.630)	120 (26940)	1.3 (2.86)
Q-16P	2	60 (2.362)	70 (2.756)	21 (0.827)	41.0 (1.614)	26 (1.024)	14 (0.551)	20 (0.787)	160 (35920)	1.0 (2.20)
QP-21A	2	55 (2.165)	64 (2.520)	21 (0.827)	41.0 (1.614)	29 (1.142)	14 (0.551)	24 (0.945)	210 (47145)	1.4 (3.08)
QP-7AH	1	70 (2.756)	60 (2.362)	17 (0.669)	33.3 (1.311)	18 (0.709)	14 (0.551)	16 (0.630)	70 (15715)	0.8 (1.76)
QP-16AH	1	70 (2.756)	70 (2.756)	21 (0.827)	41.0 (1.614)	26 (1.024)	14 (0.551)	18 (0.709)	160 (35920)	0.9 (1.98)
QP-32AH	1	60 (2.362)	115 (4.528)	25 (0.984)	49.0 (1.929)	39 (1.535)	18 (0.709)	28 (1.102)	320 (71840)	2.5 (5.51)
QP-32AS	1	60 (2.362)	115 (4.528)	25 (0.984)	49.0 (1.929)	33 (1.299)	18 (0.709)	28 (1.102)	320 (71840)	2.5 (5.51)
QP-30A	1	70 (2.756)	80 (3.150)	25 (0.984)	49.0 (1.929)	33 (1.299)	12 (0.472)	28 (1.102)	300 (67350)	2.2 (4.85)

6. Ball Eyes (Type U )

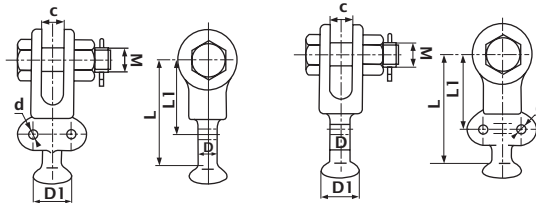
Material : Galvanized forged steel



6-1

Catalog Number	Dimensions mm (in)					Failure Load kN (LBS)	Weight kg (LBS)
	C	M	D1	D	L		
Q-7U	19 (0.748)	16 (0.630)	33.3 (1.311)	16 (0.630)	75 (2.953)	70 (15715)	0.9 (1.98)
Q-10U	20 (0.787)	18 (0.709)	33.3 (1.311)	17 (0.669)	80 (3.150)	100 (22450)	0.7 (1.54)
Q-12U	20 (0.787)	22 (0.866)	33.3 (1.311)	17 (0.669)	75 (2.953)	120 (26940)	1.0 (2.20)
Q-16U	22 (0.866)	24 (0.945)	41.0 (1.614)	20 (0.787)	80 (3.150)	160 (35920)	1.1 (2.42)
Q-21U	24 (0.945)	24 (0.945)	41.0 (1.614)	20 (0.787)	85 (3.346)	210 (47145)	1.5 (3.30)
Q-30U	32 (1.260)	30 (1.181)	49.0 (1.929)	25 (0.984)	120 (4.724)	300 (67350)	3.2 (7.05)
Q-32U	32 (1.260)	30 (1.181)	49.0 (1.929)	25 (0.984)	120 (4.724)	320 (71840)	3.2 (7.05)
Q-70U	22 (0.866)	16 (0.630)	33.3 (1.311)	17 (0.669)	75 (2.953)	70 (15715)	0.7 (1.54)
QU-12	22 (0.866)	22 (0.866)	33.3 (1.311)	17 (0.669)	75 (2.953)	120 (26940)	1.2 (2.64)
QU-16	24 (0.945)	24 (0.945)	41.0 (1.614)	21 (0.827)	80 (3.150)	160 (35920)	1.4 (3.08)
QS-21	24 (0.945)	24 (0.945)	41.0 (1.614)	21 (0.827)	102 (4.016)	210 (47145)	1.6 (3.52)
QS-30	30 (1.181)	30 (1.181)	49.0 (1.929)	25 (0.984)	110 (4.331)	300 (67350)	2.1 (4.63)
QS-55S	44 (1.732)	42 (1.654)	65 (2.559)	33 (1.299)	150 (5.906)	550 (123475)	5.6 (12.33)
QU-1610	24 (0.945)	24 (0.945)	41.0 (1.614)	21 (0.827)	100 (3.937)	160 (35920)	1.4 (3.08)

Material : Galvanized forged steel



6-2

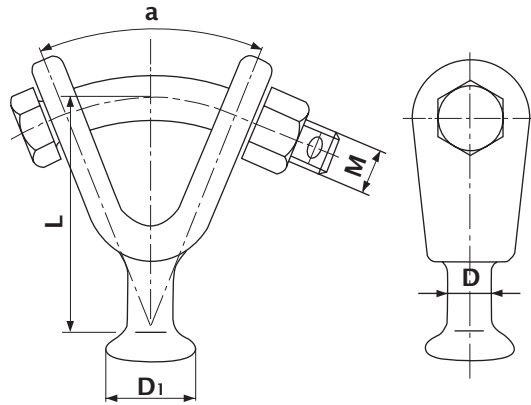
(Fig1)

(Fig2)

Catalog Number	Fig No.	Dimensions mm (in)							Failure Load kN (LBS)	Weight kg (LBS)
		C	M	D1	D	L1	L	d		
QU-12AH	2	24 (0.945)	16 (0.630)	33.3 (1.311)	17 (0.669)	70 (2.756)	112 (4.4)	14 (0.551)	120 (26940)	0.9 (1.98)
QU-12CAH	1	24 (0.945)	16 (0.630)	33.3 (1.311)	17 (0.669)	70 (2.756)	112 (4.4)	14 (0.551)	120 (26940)	0.9 (1.98)
QU-16AH	2	24 (0.945)	20 (0.787)	41.0 (1.614)	21 (0.827)	85 (3.346)	132 (5.2)	14 (0.551)	160 (35920)	1.6 (3.52)
QU-16CAH	1	24 (0.945)	20 (0.787)	41.0 (1.614)	21 (0.827)	85 (3.346)	132 (5.2)	14 (0.551)	160 (35920)	1.6 (3.52)
Q-30B	2	32 (1.260)	30 (1.181)	49 (1.929)	25 (0.984)	95 (3.740)	146 (5.7)	14 (0.551)	300 (67350)	4.5 (9.91)
Q-16B	2	24 (0.945)	24 (0.945)	41 (1.614)	21 (0.827)	85 (3.346)	132 (5.2)	14 (0.551)	160 (35920)	1.70 (3.74)

7. Ball Eyes (Type Y)

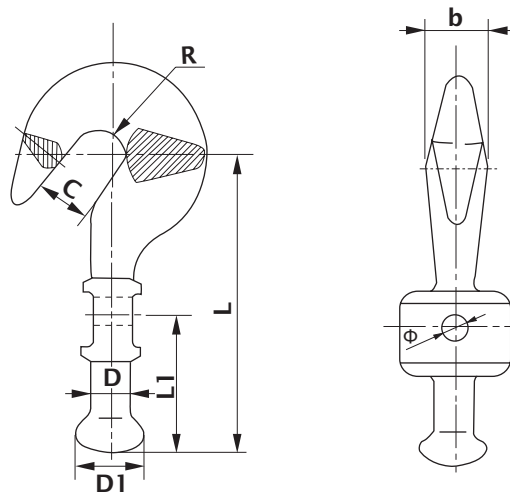
Material : Galvanized forged steel



Catalog Number	Dimensions mm (in)					Failure Load kN (LBS)	Weight kg (LBS)
	?	M	D	D1	L		
QY-70Y	45°	16 (0.630)	17 (0.669)	33.3 (1.311)	82 (3.228)	70 (15715)	0.9 (1.98)
QBD-16Y	45°	22 (0.866)	21 (0.827)	41.0 (1.614)	302 (11.890)	160 (35920)	2.4 (5.29)

8. Ball Hooks

Material : Galvanized forged steel

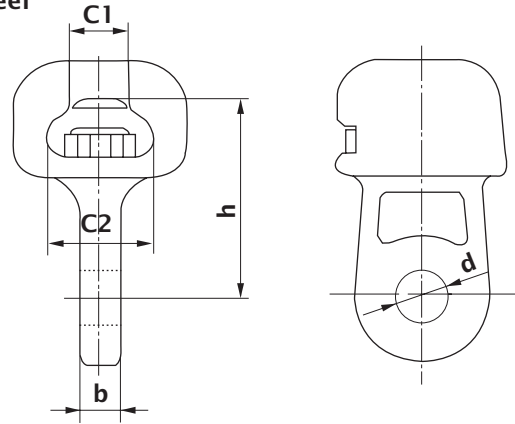


Catalog Number	Dimensions mm (in)								Failure Load kN (LBS)	Weight kg (LBS)
	L	L1	b	C	D	D1	R	Φ		
QG-7	154 (6.1)	55 (2.165)	32 (1.260)	22 (0.866)	17 (0.669)	33.3 (1.311)	11 (0.433)	14 (0.551)	70 (15715)	1.5 (3.30)



9. Socket Eyes (Type W)

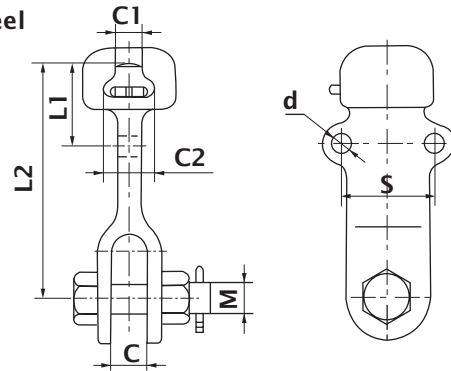
Material: Galvanized steel or galvanized forged steel  
Cotters and Pin-Stainless steel



Catalog Number	Dimensions mm (in)					Failure Load kN (LBS)	Weight kg (LBS)
	C1	C2	h	d	b		
W-4	12.5 (0.492)	24.5 (0.965)	50 (1.969)	14 (0.551)	12 (0.472)	40 (8980)	0.6 (1.32)
W-7A	19.2 (0.756)	34.5 (1.358)	70 (2.756)	20 (0.787)	16 (0.630)	70 (15715)	0.8 (1.76)
W-7B	19.2 (0.756)	34.5 (1.358)	115 (4.528)	20 (0.787)	16 (0.630)	70 (15715)	0.9 (1.98)
W1-7G	19.2 (0.756)	34.5 (1.358)	70 (2.756)	20 (0.787)	25 (0.984)	70 (15715)	1.1 (2.42)
W1-10	19.2 (0.756)	34.5 (1.358)	85 (3.346)	20 (0.787)	18 (0.709)	100 (22450)	1.0 (2.20)
W1-12	19.2 (0.756)	34.5 (1.358)	85 (3.346)	20 (0.787)	32 (1.260)	120 (26940)	1.1 (2.42)
W-12	19.2 (0.756)	34.5 (1.358)	90 (3.543)	24 (0.945)	20 (0.787)	120 (26940)	1.3 (2.86)
W-30	27.5 (1.083)	51.0 (2.008)	110 (4.331)	39 (1.535)	32 (1.260)	300 (67350)	4.2 (9.25)
W-42130S	32 (1.260)	59 (2.323)	130 (5.118)	39 (1.535)	32 (1.260)	420 (94290)	6.0 (13.22)
W-0732	19.2 (0.756)	34.5 (1.358)	70 (2.756)	20 (0.787)	32 (1.260)	70 (15715)	1.1 (2.42)

10. Socket Clevises (Elongated Type WS)

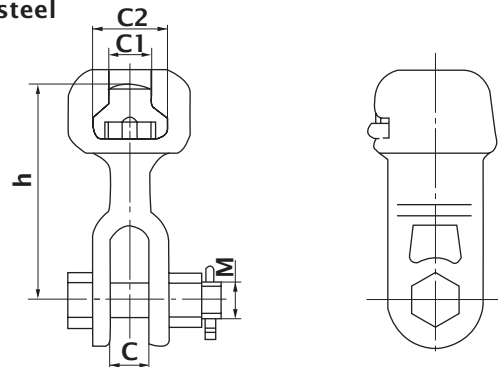
Material : Galvanized steel or galvanized forged steel  
Cotters and Pin-Stainless steel



10-1

Catalog Number	Dimensions mm (in)								Failure Load kN (LBS)	Weight kg (LBS)
	L1	L2	C	C1	C2	M	S	D		
WS-16A	135.5 (5.335)	195 (7.7)	26 (1.024)	23.0 (0.906)	42.5 (1.673)	24 (0.945)	45 (1.772)	14 (0.551)	160 (35920)	6.0 (13.22)
WS-16AH	70 (2.756)	150 (5.9)	22 (0.866)	23.0 (0.906)	42.5 (1.673)	24 (0.945)	40 (1.575)	14 (0.551)	160 (35920)	3.4 (7.49)
WS-21A	135 (5.315)	195 (7.7)	30 (1.181)	23.0 (0.906)	42.5 (1.673)	27 (1.063)	45 (1.772)	14 (0.551)	160 (35920)	6.7 (14.76)
WS-21AH	70 (2.756)	150 (5.9)	24 (0.945)	23.0 (0.906)	42.5 (1.673)	24 (0.945)	40 (1.575)	14 (0.551)	210 (47145)	4.2 (9.25)
WS-21AS	70 (2.756)	200 (7.9)	24 (0.945)	23.0 (0.906)	42.5 (1.673)	24 (0.945)	80 (3.150)	18 (0.709)	210 (47145)	4.7 (10.35)
WS-32AS	80 (3.150)	200 (7.9)	32 (1.260)	27.5 (1.083)	51.0 (2.008)	30 (1.181)	80 (3.150)	18 (0.709)	320 (71840)	6.1 (13.44)

Material : Galvanized steel or galvanized forged steel  
Cotters and Pin-Stainless steel

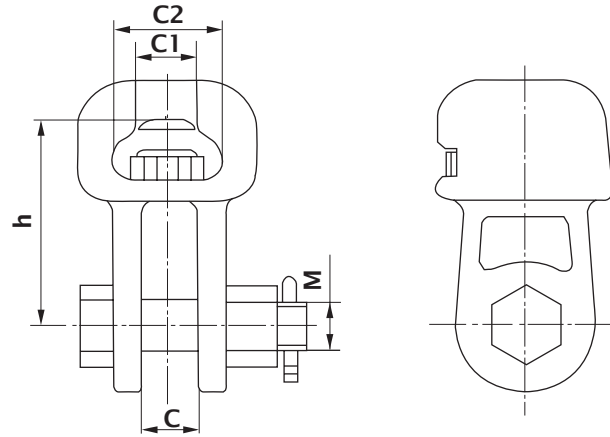


10-2

Catalog Number	Dimensions mm (in)					Failure Load kN (LBS)	Weight kg (LBS)
	C	C1	C2	M	h		
WS-10/150	20 (0.787)	19.2 (0.756)	34.5 (1.358)	18 (0.709)	150 (5.906)	100 (22450)	1.7 (3.74)
WS-21L	24 (0.945)	27.5 (1.083)	51.0 (2.008)	22 (0.866)	150 (5.906)	210 (47145)	4.7 (10.35)
WS-30L	30 (1.181)	27.5 (1.083)	51.0 (2.008)	27 (1.063)	150 (5.906)	300 (67350)	5.2 (11.45)

11. Socket Clevises (Type WS)

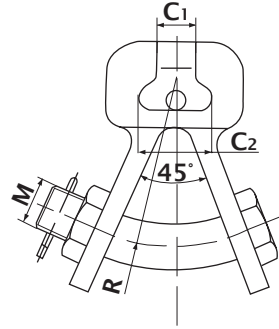
Material : Galvanized steel or galvanized forged steel  
 Hardware-Galvanized steel  
 Cotter and Pin-Stainless steel



Catalog Number	Dimensions mm (in)					Failure Load kN (LBS)	Weight kg (LBS)
	C	C1	C2	M	h		
WS-7	18 (0.709)	19.2 (0.756)	34.5 (1.358)	16 (0.630)	70 (2.756)	70 (15715)	1.0 (2.20)
WS-10	20 (0.787)	19.2 (0.756)	34.5 (1.358)	18 (0.709)	85 (3.346)	100 (22450)	1.2 (2.64)
WS-12	24 (0.945)	19.2 (0.756)	34.5 (1.358)	22 (0.866)	85 (3.346)	120 (26940)	1.8 (3.96)
WS-16	26 (1.024)	23.0 (0.906)	42.5 (1.673)	24 (0.945)	95 (3.740)	160 (35920)	2.6 (5.73)
WS-21	30 (1.181)	27.5 (1.083)	51 (2.008)	27 (1.063)	100 (3.937)	200 (44900)	4.3 (9.47)
WS-21D	30 (1.181)	23.0 (0.906)	42.5 (1.673)	27 (1.063)	100 (3.937)	210 (47145)	4.5 (9.91)
WS-25	34 (1.339)	27.5 (1.083)	51.0 (2.008)	30 (1.181)	110 (4.331)	250 (56125)	6.1 (13.44)
WS-30	36 (1.417)	27.5 (1.083)	51.0 (2.008)	36 (1.417)	110 (4.331)	300 (67350)	5.7 (12.56)
WS-1611	26 (1.024)	23.0 (0.906)	42.5 (1.673)	24 (0.945)	110 (4.331)	160 (35920)	3.8 (8.37)
WS-16D	26 (1.024)	23.0 (0.906)	42.5 (1.673)	24 (0.945)	95 (3.740)	160 (35920)	2.1 (4.63)
WS-20D	30 (1.181)	27.5 (1.083)	51.0 (2.008)	27 (1.063)	100 (3.937)	200 (44900)	4.3 (9.47)
WS-30D	38 (1.496)	27.5 (1.083)	51.0 (2.008)	36 (1.417)	110 (4.331)	300 (67350)	7.5 (16.52)
WS-12G	20 (0.787)	19.2 (0.756)	34.5 (1.358)	18 (0.709)	85 (3.346)	120 (26940)	1.7 (3.74)
WS-16S	22 (0.866)	23.0 (0.906)	42.5 (1.673)	24 (0.945)	95 (3.740)	160 (35920)	2.7 (5.95)
WS-21S	24 (0.945)	23.0 (0.906)	42.5 (1.673)	24 (0.945)	100 (3.937)	210 (47145)	3.6 (7.93)
WS-25S	28 (1.102)	27.5 (1.083)	51.0 (2.008)	27 (1.063)	100 (3.937)	250 (56125)	5.2 (11.45)
WS-32S	32 (1.260)	27.5 (1.083)	51.0 (2.008)	30 (1.181)	110 (4.331)	320 (71840)	4.7 (10.35)
WS-42S	38 (1.496)	32.0 (1.260)	59.0 (2.323)	36 (1.417)	120 (4.724)	420 (94290)	6.0 (13.22)
WS-55S	42 (1.654)	36.0 (1.417)	67.5 (2.657)	42 (1.654)	140 (5.512)	550 (123475)	10.3 (22.69)

12. Socket Clevises (Type Y)

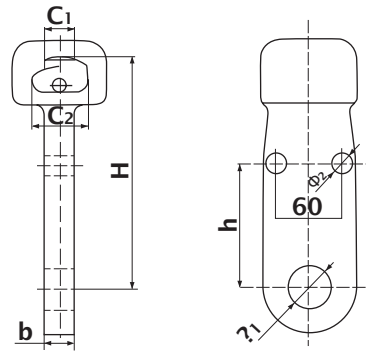
Material : Galvanized forged steel  
Cotters and Pin-Stainless steel



Catalog Number	Dimensions mm (in)				Failure Load kN (LBS)	Weight kg (LBS)
	C1	C2	M	R		
WSY-7	19.2 (0.756)	34.5 (1.358)	20 (0.787)	85 (3.346)	70 (15715)	1.51 (3.33)
WSY-10	19.2 (0.756)	34.5 (1.358)	22 (0.866)	100 (3.937)	100 (22450)	2.6 (5.73)
WSY-12	19.2 (0.756)	34.5 (1.358)	24 (0.945)	100 (3.937)	120 (26940)	2.6 (5.73)
WSY-21	23.0 (0.906)	42.5 (1.673)	27 (1.063)	100 (3.937)	210 (47145)	4.1 (9.03)
WSY-30	27.5 (1.083)	51.0 (2.008)	30 (1.181)	110 (4.331)	300 (67350)	4.9 (10.79)
WSY-42F	32 (1.260)	59 (2.323)	36 (1.417)	120 (4.724)	420 (94290)	6.8 (14.98)

13. Socket Clevises (Type AH)

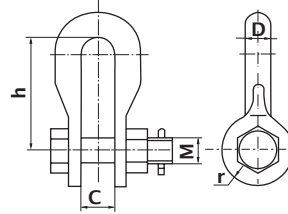
Material : Galvanized steel or galvanized forged steel  
Cotters and Pin-Stainless steel



Catalog Number	Dimensions mm (in)							Failure Load kN (LBS)	Weight kg (LBS)
	?1	C1	C2	φ2	h	H	b		
W-32AH	39 (1.535)	27.5 (1.083)	51.0 (2.008)	18 (0.709)	100 (3.937)	215 (8.5)	28 (1.102)	320 (71840)	5.5 (12.11)
W1-7AH	20 (0.787)	19.2 (0.756)	34.5 (1.358)	12 (0.472)	55 (2.165)	120 (4.7)	18 (0.709)	70 (15715)	1.1 (2.42)
W-16A	26 (1.024)	23.5 (0.925)	42.5 (1.673)	14 (0.551)	70 (2.756)	140 (5.5)	20 (0.787)	160 (35920)	2.3 (5.07)

14. Shackles

Material : Galvanized forged steel  
 Hardware-Galvanized steel  
 Cotters and Pin-Stainless steel

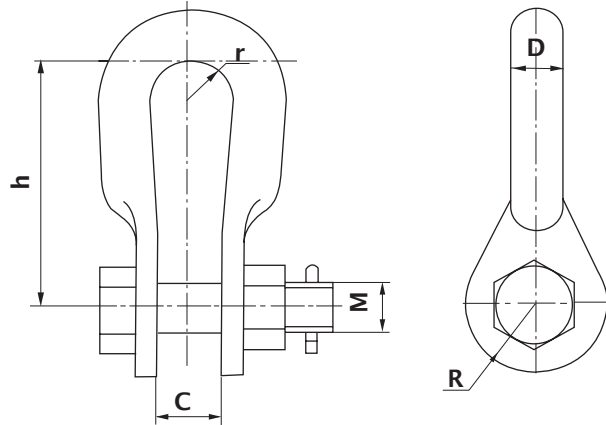


14-1

Catalog Number	Dimensions mm (in)					Failure Load kN (LBS)	Weight kg (LBS)
	C	M	D	h	r		
U-7	20 (0.787)	16 (0.630)	16 (0.630)	80 (3.1)	22 (0.866)	70 (15715)	0.6 (1.32)
U-10	22 (0.866)	18 (0.709)	18 (0.709)	85 (3.3)	24 (0.945)	100 (22450)	0.6 (1.32)
U-12	24 (0.945)	22 (0.866)	20 (0.787)	90 (3.5)	30 (1.181)	120 (26940)	1.0 (2.20)
U-16	26 (1.024)	24 (0.945)	22 (0.866)	95 (3.7)	32 (1.260)	160 (35920)	1.5 (3.30)
U-16T	28 (1.102)	24 (0.945)	22 (0.866)	90 (3.5)	32 (1.260)	160 (35920)	1.5 (3.30)
U-21	30 (1.181)	27 (1.063)	24 (0.945)	100 (3.9)	36 (1.417)	210 (47145)	2.3 (5.07)
U-25	34 (1.339)	30 (1.181)	26 (1.024)	110 (4.3)	40 (1.575)	250 (56125)	2.8 (6.17)
U-30	38 (1.496)	36 (1.417)	30 (1.181)	130 (5.1)	46 (1.811)	300 (67350)	3.7 (8.15)
U-40	42 (1.654)	42 (1.654)	36 (1.417)	150 (5.9)	55 (2.165)	400 (89800)	6.5 (14.32)
U-50	44 (1.732)	42 (1.654)	36 (1.417)	150 (5.9)	55 (2.165)	500 (112250)	7.0 (15.42)
U-60	50 (1.969)	48 (1.890)	38 (1.496)	185 (7.3)	65 (2.559)	600 (134700)	10.8 (23.79)
U-10ST	26 (1.024)	18 (0.709)	18 (0.709)	70 (2.8)	24 (0.945)	100 (22450)	0.7 (1.54)
U-12S	22 (0.866)	22 (0.866)	18 (0.709)	70 (2.8)	30 (1.181)	120 (26940)	1.0 (2.20)
U-21S	26 (1.024)	24 (0.945)	20 (0.787)	100 (3.9)	32 (1.260)	210 (47145)	1.4 (3.08)
U-21ST	30 (1.181)	24 (0.945)	20 (0.787)	100 (3.9)	32 (1.260)	210 (47145)	2.0 (4.41)
U-25S	30 (1.181)	27 (1.063)	24 (0.945)	110 (4.3)	36 (1.417)	250 (56125)	2.1 (4.63)
U-50S	40 (1.575)	36 (1.417)	32 (1.260)	150 (5.9)	48 (1.890)	500 (112250)	4.9 (10.79)
U-21G	24 (0.945)	24 (0.945)	22 (0.866)	100 (3.9)	32 (1.260)	210 (47145)	1.5 (3.30)
U-30G.1	34 (1.339)	30 (1.181)	28 (1.102)	110 (4.3)	36 (1.417)	300 (67350)	2.5 (5.51)
U-30G.2	34 (1.339)	36 (1.417)	30 (1.181)	115 (4.5)	46 (1.811)	300 (67350)	3.6 (7.93)
U-42A	34 (1.339)	30 (1.181)	28 (1.102)	130 (5.1)	40 (1.575)	420 (94290)	3.6 (7.93)
U-42B	34 (1.339)	30 (1.181)	28 (1.102)	150 (5.9)	40 (1.575)	420 (94290)	3.6 (7.93)
U-42C	34 (1.339)	30 (1.181)	28 (1.102)	190 (7.5)	40 (1.575)	420 (94290)	3.6 (7.93)
U-50G	38 (1.496)	36 (1.417)	32 (1.260)	170 (6.7)	43 (1.693)	500 (112250)	7.0 (15.42)
U-60G	46 (1.811)	42 (1.654)	38 (1.496)	172 (6.8)	44 (1.732)	600 (134700)	7.6 (16.74)
U-64G	40 (1.575)	48 (1.890)	36 (1.417)	190 (7.5)	62 (2.441)	640 (143680)	7.1 (15.64)
U-25ST	34 (1.339)	27 (1.063)	24 (0.945)	110 (4.3)	36 (1.417)	250 (56125)	2.6 (5.73)
U-21165S	26 (1.024)	24 (0.945)	20 (0.787)	165 (6.5)	32 (1.260)	210 (47145)	1.7 (3.74)
U-3210S	32 (1.260)	30 (1.181)	28 (1.102)	100 (3.9)	40 (1.575)	320 (71840)	2.8 (6.17)
U-32130S	34 (1.339)	30 (1.181)	28 (1.102)	130 (5.1)	40 (1.575)	320 (71840)	3.4 (7.49)
U-64200S	42 (1.654)	42 (1.654)	36 (1.417)	200 (7.9)	55 (2.165)	640 (143680)	7.0 (15.42)
U-84230S	44 (1.732)	48 (1.890)	40 (1.575)	230 (9.1)	62 (2.441)	840 (188580)	10.5 (23.13)



Material : Galvanized forged steel  
 Hardware-Galvanized steel  
 Cotters and Pin-Stainless steel

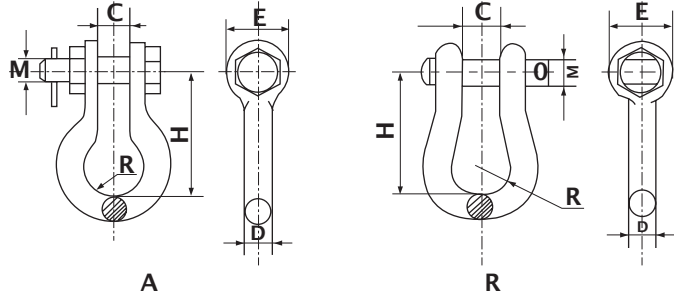


14-2

Catalog Number	Dimensions mm (in)						Failure Load kN (LBS)	Weight kg (LBS)
	C	M	D	h	R	r		
UR-4	14 (0.551)	12 (0.472)	16 (0.630)	60 (2.4)	20 (0.787)	16 (0.630)	40 (8980)	0.5 (1.10)
UR-7	18 (0.709)	16 (0.630)	16 (0.630)	65 (2.6)	22 (0.866)	16 (0.630)	70 (15715)	0.6 (1.32)
U-20-1	22 (0.866)	27 (1.063)	24 (0.945)	100 (3.9)	36 (1.417)	15 (0.591)	200 (44900)	2.3 (5.07)
U-50-1	38 (1.496)	42 (1.654)	36 (1.417)	150 (5.9)	55 (2.165)	22 (0.866)	500 (112250)	7.8 (17.18)
U-50-2	30 (1.181)	42 (1.654)	36 (1.417)	150 (5.9)	55 (2.165)	22 (0.866)	500 (112250)	7.7 (16.96)
U-70	40 (1.575)	42 (1.654)	36 (1.417)	170 (6.7)	55 (2.165)	28 (1.102)	700 (157150)	9.5 (20.93)
U-100	44 (1.732)	48 (1.890)	42 (1.654)	200 (7.9)	65 (2.559)	28 (1.102)	1000 (224500)	14.4 (31.72)
U-10G	24 (0.945)	18 (0.709)	18 (0.709)	85 (3.3)	24 (0.945)	13 (0.512)	100 (22450)	0.63 (1.39)
U-30T	34 (1.339)	36 (1.417)	30 (1.181)	170 (6.7)	36 (1.417)	20 (0.787)	300 (67350)	4.5 (9.91)
U-60T	50 (1.969)	42 (1.654)	42 (1.654)	230 (9.1)	55 (2.165)	28 (1.102)	600 (134700)	9.0 (19.82)
U-70T	22 (0.866)	16 (0.630)	16 (0.630)	60 (2.4)	22 (0.866)	17 (0.669)	700 (157150)	0.4 (0.88)
U-16S	22 (0.866)	24 (0.945)	20 (0.787)	90 (3.5)	32 (1.260)	13 (0.512)	160 (35920)	1.3 (2.86)
U-32S	32 (1.260)	30 (1.181)	28 (1.102)	115 (4.5)	40 (1.575)	17 (0.669)	320 (71840)	3.0 (6.61)
U-42S	38 (1.496)	36 (1.417)	32 (1.260)	140 (5.5)	45 (1.772)	20 (0.787)	420 (94290)	4.5 (9.91)
U-84S	44 (1.732)	48 (1.890)	40 (1.575)	250 (9.8)	62 (2.441)	25 (0.984)	840 (188580)	11.4 (25.11)
U-1608S	24 (0.945)	24 (0.945)	20 (0.787)	80 (3.1)	32 (1.260)	13 (0.512)	160 (35920)	1.3 (2.86)
U-42155S	38 (1.496)	36 (1.417)	32 (1.260)	115 (4.5)	45 (1.772)	20 (0.787)	420 (94290)	4.3 (9.47)
U-84180S	44 (1.732)	48 (1.890)	40 (1.575)	180 (7.1)	62 (2.441)	25 (0.984)	840 (188580)	10.0 (22.03)
U-3215A	30 (1.181)	27 (1.063)	26 (1.024)	150 (5.9)	40 (1.575)	20 (0.787)	320 (71840)	3.2 (7.05)

15. Shackles (Type A & R)

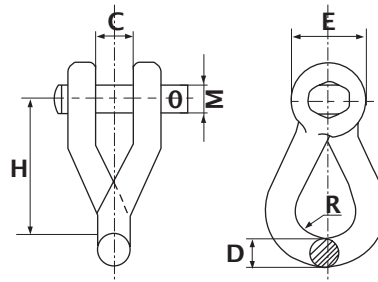
Material : Galvanized forged steel  
 Hardware-Galvanized steel  
 Cotters and Pin-Stainless steel



Catalog Number	Dimensions mm (in)						Failure Load kN (LBS)	Weight kg (LBS)
	C	D	E	H	M	R		
U-7A	19 (0.748)	16 (0.630)	38 (1.496)	76 (2.992)	16 (0.630)	11 (0.433)	70 (15715)	0.65 (1.43)
U-12A	22 (0.866)	18 (0.709)	40 (1.575)	72 (2.835)	18 (0.709)	18 (0.709)	120 (26940)	0.72 (1.59)
U-16A	26 (1.024)	20 (0.787)	44 (1.732)	89 (3.504)	20 (0.787)	19 (0.748)	160 (35920)	0.98 (2.16)
U-22A	26 (1.024)	22 (0.866)	51 (2.008)	89 (3.504)	22 (0.866)	19 (0.748)	220 (49390)	1.54 (3.39)
U-7R	20 (0.787)	16 (0.630)	70 (2.756)	76 (2.992)	16 (0.630)	19 (0.748)	70 (15715)	0.5 (1.10)
U-12R	22 (0.866)	20 (0.787)	80 (3.150)	20 (0.787)	20 (0.787)	19 (0.748)	120 (26940)	1.0 (2.20)

16. Shackles (Type UH)

Material : Galvanized forged steel  
 Hardware-Galvanized steel  
 Cotters and Pin—Stainless steel

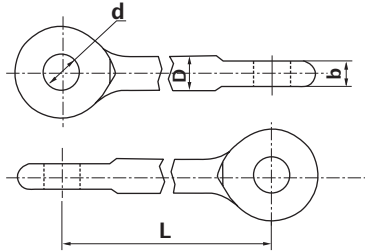


Catalog Number	Dimensions mm (in)						Failure Load kN (LBS)	Weight kg (LBS)
	C	M	D	H	R	E		
UN-7	18 (0.709)	16 (0.630)	16 (0.630)	76 (2.992)	16 (0.630)	34 (1.339)	70 (15715)	0.6 (1.32)
UN-10	18 (0.709)	16 (0.630)	18 (0.709)	76 (2.992)	16 (0.630)	38 (1.496)	100 (22450)	0.7 (1.54)
UN-12	19 (0.748)	16 (0.630)	18 (0.709)	76 (2.992)	16 (0.630)	38 (1.496)	120 (26940)	0.7 (1.54)
UN-16	22 (0.866)	20 (0.787)	20 (0.787)	102 (4.016)	19 (0.748)	44 (1.732)	160 (35920)	1.05 (2.31)



17. Extension Rods (Type YL)

Material : Galvanized forged steel



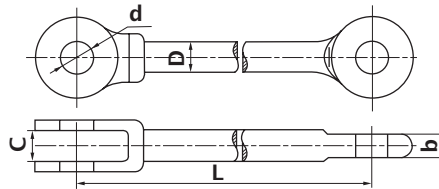
17-1

Catalog Number	Dimensions mm (in)				Failure Load kN (LBS)	Weight kg (LBS)
	D	d	b	L		
YL-0711	18 (0.709)	18 (0.709)	16 (0.630)	110 (4.3)	70 (15715)	0.88 (1.94)
YL-0712	18 (0.709)	18 (0.709)	16 (0.630)	120 (4.7)	70 (15715)	0.4 (0.88)
YL-0751	18 (0.709)	18 (0.709)	16 (0.630)	510 (20.1)	70 (15715)	1.76 (3.88)
TL-0770	18 (0.709)	18 (0.709)	16 (0.630)	700 (27.6)	70 (15715)	1.65 (3.63)
YL-1012	18 (0.709)	20 (0.787)	16 (0.630)	120 (4.7)	100 (22450)	0.8 (1.76)
YL-1040	18 (0.709)	20 (0.787)	16 (0.630)	400 (15.7)	100 (22450)	1.1 (2.42)
YL-1050	18 (0.709)	20 (0.787)	16 (0.630)	500 (19.7)	100 (22450)	1.4 (3.08)
YL-1066	18 (0.709)	20 (0.787)	16 (0.630)	660 (26.0)	100 (22450)	1.7 (3.74)
YL-1069	18 (0.709)	20 (0.787)	16 (0.630)	690 (27.2)	100 (22450)	1.9 (4.19)
YL-1093	22 (0.866)	20 (0.787)	20 (0.787)	930 (36.6)	100 (22450)	4.6 (10.13)
YL-10100	18 (0.709)	20 (0.787)	16 (0.630)	1000 (39.4)	100 (22450)	2.2 (4.85)
YL-10150	25 (0.984)	20 (0.787)	16 (0.630)	1500 (59.1)	100 (22450)	6.5 (14.32)
YL-10190	25 (0.984)	20 (0.787)	16 (0.630)	1900 (74.8)	100 (22450)	8.0 (17.62)
YL-1243	22 (0.866)	24 (0.945)	18 (0.709)	430 (16.9)	120 (26940)	1.6 (3.52)
YL-1611	24 (0.945)	26 (1.024)	18 (0.709)	110 (4.3)	160 (35920)	1.32 (2.91)
YL-1640	22 (0.866)	26 (1.024)	18 (0.709)	400 (15.7)	160 (35920)	1.6 (3.52)
YL-1643	22 (0.866)	26 (1.024)	18 (0.709)	430 (16.9)	160 (35920)	1.6 (3.52)
YL-1651	24 (0.945)	26 (1.024)	18 (0.709)	510 (20.1)	160 (35920)	2.64 (5.81)
YL-1655	22 (0.866)	26 (1.024)	18 (0.709)	550 (21.7)	160 (35920)	2.5 (5.51)
YL-1657	22 (0.866)	26 (1.024)	18 (0.709)	570 (22.4)	160 (35920)	2.7 (5.95)
YL-1670	24 (0.945)	26 (1.024)	18 (0.709)	700 (27.6)	160 (35920)	3.41 (7.51)
YL-161885	26 (1.024)	26 (1.024)	20 (0.787)	1885 (74.2)	160 (35920)	9.4 (20.70)
YL-2043	24 (0.945)	30 (1.181)	26 (1.024)	430 (16.9)	200 (44900)	3.0 (6.61)
YL-2143	24 (0.945)	30 (1.181)	20 (0.787)	430 (16.9)	210 (47145)	3.00 (6.61)
YL-2155	26 (1.024)	30 (1.181)	20 (0.787)	550 (21.7)	210 (47145)	3.1 (6.83)
YL-2165	26 (1.024)	30 (1.181)	20 (0.787)	650 (25.6)	210 (47145)	3.1 (6.83)
YL-2511	30 (1.181)	30 (1.181)	22 (0.866)	110 (4.3)	250 (56125)	1.32 (2.91)
YL-2111	24 (0.945)	26 (1.024)	20 (0.787)	110 (4.3)	210 (47145)	1.21 (2.67)
YL-2120	24 (0.945)	26 (1.024)	20 (0.787)	200 (7.9)	210 (47145)	1.32 (2.91)



Catalog Number	Dimensions mm (in)				Failure Load (kN)	Weight (kg)
	D	d	b	L		
YL-2140	24 (0.945)	26 (1.024)	20 (0.787)	400 (15.7)	210	1.98 (4.36)
YL-2151	24 (0.945)	26 (1.024)	20 (0.787)	510 (20.1)	210	2.2 (4.85)
YL-2168	24 (0.945)	26 (1.024)	20 (0.787)	680 (26.8)	210	2.64 (5.81)
YL-2180	24 (0.945)	26 (1.024)	20 (0.787)	800 (31.5)	210	3.08 (6.78)
YL-21100	24 (0.945)	26 (1.024)	20 (0.787)	1000 (39.4)	210	3.41 (7.51)
YL-2520	30 (1.181)	30 (1.181)	22 (0.866)	200 (7.9)	250	1.87 (4.12)
YL-2540	30 (1.181)	30 (1.181)	22 (0.866)	400 (15.7)	250	2.42 (5.33)
YL-2551	30 (1.181)	30 (1.181)	22 (0.866)	510 (20.1)	250	2.64 (5.81)
YL-2568	30 (1.181)	30 (1.181)	22 (0.866)	680 (26.8)	250	2.86 (6.30)
YL-2580	30 (1.181)	30 (1.181)	22 (0.866)	800 (31.5)	250	3.3 (7.27)
YL-25100	30 (1.181)	30 (1.181)	22 (0.866)	1000 (39.4)	250	3.96 (8.72)
YL-3043	36 (1.417)	39 (1.535)	32 (1.260)	430 (16.9)	300	5.6 (12.33)
YL-1650S	22 (0.866)	26 (1.024)	18 (0.709)	500 (19.7)	160	2.1 (4.63)
YL-2140S	24 (0.945)	26 (1.024)	20 (0.787)	400 (15.7)	210	1.8 (3.96)
YL-2165S	24 (0.945)	26 (1.024)	20 (0.787)	650 (25.6)	210	2.4 (5.29)
YL-2543S	30 (1.181)	33 (1.299)	22 (0.866)	430 (16.9)	250	3.4 (7.49)
YL-3043S	32 (1.260)	39 (1.535)	24 (0.945)	430 (16.9)	300	3.4 (7.49)
YL-3236S	30 (1.181)	33 (1.299)	28 (1.102)	360 (14.2)	320	3.4 (7.49)
YL-3250S	30 (1.181)	33 (1.299)	28 (1.102)	500 (19.7)	320	4.2 (9.25)
YL-4250S	36 (1.417)	39 (1.535)	32 (1.260)	500 (19.7)	420	6.5 (14.32)
YL-6455S	42 (1.654)	45 (1.772)	36 (1.417)	550 (21.7)	640	9.3 (20.48)
YL-64176S	42 (1.654)	45 (1.772)	36 (1.417)	176 (6.9)	640	3.5 (7.71)
YL-64429S	42 (1.654)	45 (1.772)	36 (1.417)	429 (16.9)	640	8.0 (17.62)
YL-64799S	42 (1.654)	45 (1.772)	36 (1.417)	799 (31.5)	640	15.0 (33.04)

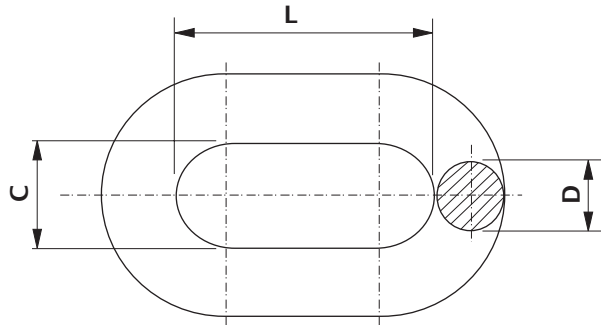
Material : Galvanized forged steel  
 Hardware -Galvanized steel  
 Cotter and Pin—Stainless steel



17-2

Catalog Number	Dimensions mm (in)					Failure Load (kN)	Weight (kg)
	D	d	b	C	L		
YLS-42500S	36 (1.417)	39 (1.535)	32 (1.260)	36 (1.417)	500 (19.7)	420	8.5 (18.72)
YLS-64350S	42 (1.654)	45 (1.772)	36 (1.417)	42 (1.654)	350 (13.8)	640	11.2 (24.67)

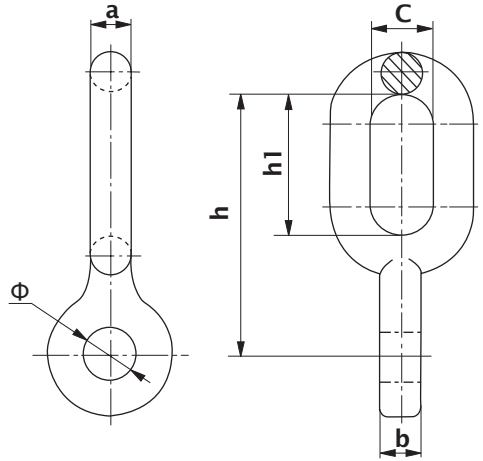


**18. Extensive Links**
**Material : Galvanized forged steel**

**TE**

Catalog Number	Dimensions mm (in)			Failure Load kN (LBS)	Weight kg (LBS)
	C	D	L		
PH-7	20 (0.787)	16 (0.630)	80 (3.1)	70 (15715)	0.4 (0.88)
PH-10	22 (0.866)	18 (0.709)	100 (3.9)	100 (22450)	0.6 (1.32)
PH-12	24 (0.945)	20 (0.787)	120 (4.7)	120 (26940)	0.9 (1.98)
PH-16	26 (1.024)	22 (0.866)	140 (5.5)	160 (35920)	1.5 (3.30)
PH-21	30 (1.181)	24 (0.945)	160 (6.3)	210 (47145)	1.6 (3.52)
PH-25	34 (1.339)	26 (1.024)	160 (6.3)	250 (56125)	2.0 (4.41)
PH-30	38 (1.496)	30 (1.181)	180 (7.1)	300 (67350)	3.0 (6.61)
PH-50	44 (1.732)	36 (1.417)	180 (7.1)	500 (112250)	4.2 (9.25)
PH-1210	24 (0.945)	20 (0.787)	100 (3.9)	120 (26940)	0.7 (1.54)
PH-12S	22 (0.866)	18 (0.709)	170 (6.7)	120 (26940)	2.5 (5.51)
PH-12G	20 (0.787)	18 (0.709)	170 (6.7)	120 (26940)	0.7 (1.54)
PH-12A	24 (0.945)	20 (0.787)	350 (13.8)	120 (26940)	2.2 (4.85)
PH-1610	26 (1.024)	22 (0.866)	100 (3.9)	160 (35920)	0.8 (1.76)
PH-16S	26 (1.024)	20 (0.787)	120 (4.7)	160 (35920)	0.9 (1.98)
PH-21S	26 (1.024)	20 (0.787)	130 (5.1)	210 (47145)	0.9 (1.98)
PH-21A	30 (1.181)	24 (0.945)	350 (13.8)	210 (47145)	3.4 (7.49)
PH-21G	24 (0.945)	22 (0.866)	120 (4.7)	210 (47145)	0.85 (1.87)
PH-25S	32 (1.260)	24 (0.945)	120 (4.7)	250 (56125)	1.3 (2.86)
PH-32S	34 (1.339)	28 (1.102)	140 (5.5)	320 (71840)	2.0 (4.41)
PH-42S	40 (1.575)	32 (1.260)	160 (6.3)	420 (94290)	3.0 (6.61)
PH-64S	42 (1.654)	36 (1.417)	190 (7.5)	640 (143680)	5.0 (11.01)
PH-32/30S	34 (1.339)	28 (1.102)	130 (5.1)	320 (71840)	1.9 (4.19)

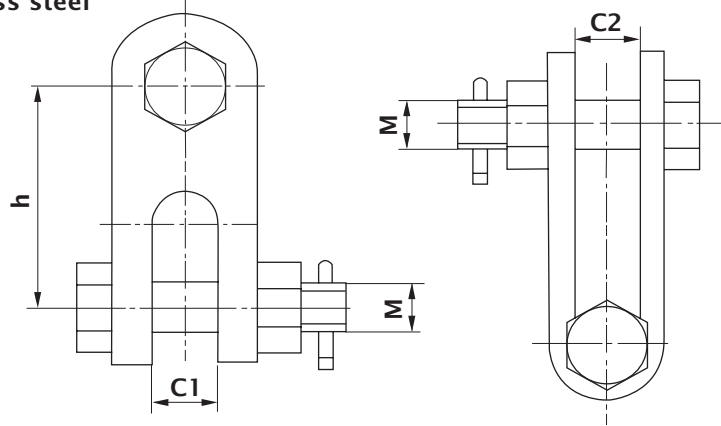
19. Eye Links (Type ZH)

Material : Galvanized forged steel



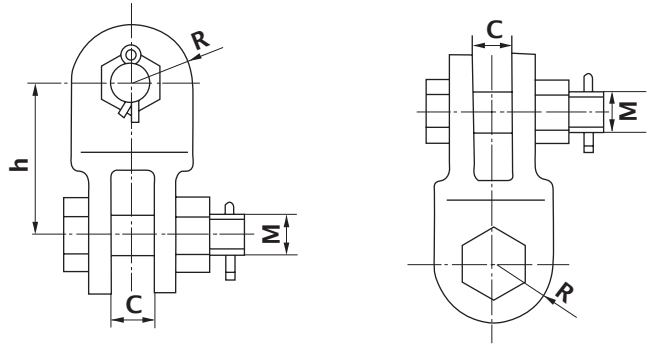
Catalog Number	Dimensions mm (in)						Failure Load kN (LBS)	Weight kg (LBS)
	a	b	c	φ	h1	h		
ZH-7	16 (0.630)	16 (0.630)	24 (0.945)	20 (0.787)	57 (2.244)	100 (3.9)	70 (15715)	0.9 (1.98)
ZH-10	18 (0.709)	15 (0.591)	24 (0.945)	20 (0.787)	57 (2.244)	100 (3.9)	100 (22450)	1.1 (2.42)
ZH-12	18 (0.709)	16 (0.630)	24 (0.945)	24 (0.945)	65 (2.559)	115 (4.5)	120 (26940)	1.1 (2.42)
ZH-16	22 (0.866)	18 (0.709)	26 (1.024)	26 (1.024)	75 (2.953)	135 (5.3)	160 (35920)	1.2 (2.64)
ZH-16/153	22 (0.866)	18 (0.709)	26 (1.024)	26 (1.024)	90 (3.543)	153 (6.0)	160 (35920)	1.4 (3.08)
ZH-21	24 (0.945)	26 (1.024)	32 (1.260)	30 (1.181)	75 (2.953)	150 (5.9)	210 (47145)	2.3 (5.07)



**20. Clevises (Type Z)**
**Material : Galvanized steel**
**Hardware-Galvanized steel**
**Cotters and Pin—Stainless steel**

**20-1**

Catalog Number	Dimensions mm (in)				Failure Load kN (LBS)	Weight kg (LBS)
	C1	C2	M	h		
Z-7	18 (0.709)	18 (0.709)	16 (0.630)	80 (3.150)	70 (15715)	0.6 (1.32)
Z-10	20 (0.787)	20 (0.787)	18 (0.709)	80 (3.150)	100 (22450)	0.8 (1.76)
Z-12	24 (0.945)	24 (0.945)	22 (0.866)	100 (3.9)	120 (26940)	1.3 (2.86)
Z-16	26 (1.024)	26 (1.024)	24 (0.945)	100 (3.9)	160 (35920)	2.5 (5.51)
Z-21	30 (1.181)	30 (1.181)	27 (1.063)	120 (4.7)	210 (47145)	3.5 (7.71)
Z-25	34 (1.339)	34 (1.339)	30 (1.181)	110 (4.3)	250 (56125)	4.3 (9.47)
Z-30	38 (1.496)	38 (1.496)	36 (1.417)	120 (4.7)	300 (67350)	6.0 (13.22)
Z-40	44 (1.732)	44 (1.732)	42 (1.654)	180 (7.1)	400 (89800)	12.9 (28.41)
Z-50	44 (1.732)	44 (1.732)	42 (1.654)	150 (5.9)	500 (11225)	8.6 (18.94)
Z-25/GH	34 (1.339)	34 (1.339)	33 (1.299)	120 (4.7)	250 (56125)	3.4 (7.49)
Z-30/GH	38 (1.496)	38 (1.496)	36 (1.417)	120 (4.7)	300 (67350)	4.6 (10.13)
Z-16S	22 (0.866)	22 (0.866)	24 (0.945)	100 (3.9)	160 (35920)	2.2 (4.85)
Z-21S	24 (0.945)	26 (1.024)	24 (0.945)	90 (3.5)	210 (47145)	3.0 (6.61)
Z-25S	28 (1.102)	28 (1.102)	27 (1.063)	110 (4.3)	250 (56125)	3.5 (7.71)
Z-16G	24 (0.945)	26 (1.024)	24 (0.945)	90 (3.5)	160 (35920)	2.8 (6.17)
Z-32G	32 (1.260)	32 (1.260)	30 (1.181)	100 (3.9)	320 (71840)	4.8 (10.57)
Z-42G	36 (1.417)	38 (1.496)	36 (1.417)	110 (4.3)	420 (94290)	5.2 (11.45)
Z-64G	40 (1.575)	44 (1.732)	42 (1.654)	130 (5.1)	640 (143680)	6.4 (14.10)

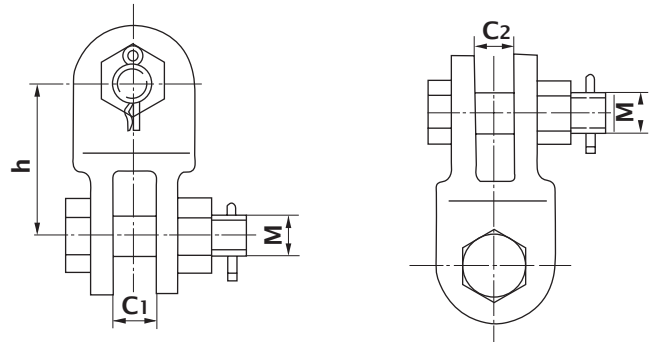
Material : Galvanized forged steel  
 Hardware -Galvanized steel  
 Cotters and Pin—Stainless steel



20-2

Catalog Number	Dimensions mm (in)				Failure Load kN (LBS)	Weight kg (LBS)
	C	R	M	h		
Z-30	38 (1.496)	46 (1.811)	36 (1.417)	135 (5.3)	300 (67350)	5.4 (11.89)
Z-40	42 (1.654)	50 (1.969)	36 (1.417)	150 (5.9)	400 (89800)	8.6 (18.94)
Z-50	44 (1.732)	57 (2.244)	42 (1.654)	150 (5.9)	500 (112250)	12.0 (26.43)
Z-60	50 (1.969)	62 (2.441)	48 (1.890)	180 (7.1)	600 (134700)	19.4 (42.73)

Material : Galvanized forged steel  
 Hardware -Galvanized steel  
 Cotters and Pin—Stainless steel

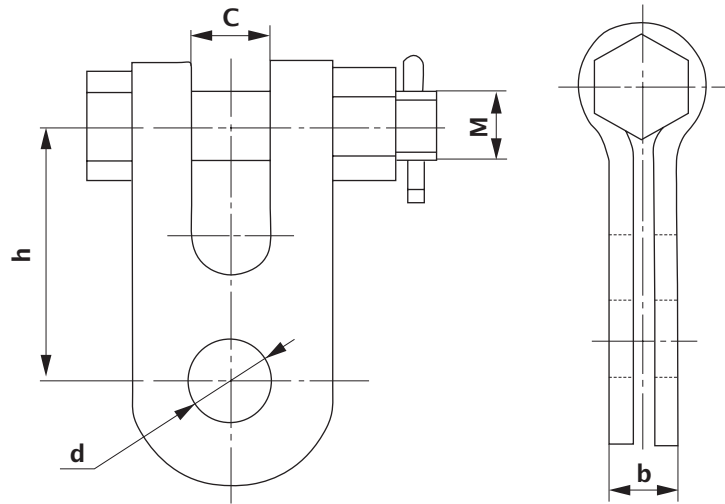


20-3

Catalog Number	Dimensions mm (in)				Failure Load kN (LBS)	Weight kg (LBS)
	C1	C2	M	h		
Z1-25	34 (1.339)	34 (1.339)	30 (1.181)	110 (4.3)	250 (56125)	3.8 (8.37)
Z-32S	32 (1.260)	32 (1.260)	30 (1.181)	136 (5.4)	320 (71840)	9.2 (20.26)
Z-42S	38 (1.496)	38 (1.496)	36 (1.417)	150 (5.9)	420 (94290)	8.4 (18.50)
Z-50S	38 (1.496)	38 (1.496)	36 (1.417)	150 (5.9)	500 (112250)	14.2 (31.28)
Z-55S	36 (1.417)	36 (1.417)	42 (1.654)	150 (5.9)	550 (123475)	18.0 (39.65)
Z-64S	42 (1.654)	42 (1.654)	42 (1.654)	180 (7.1)	640 (143680)	19.4 (42.73)
Z-84S	44 (1.732)	44 (1.732)	48 (1.890)	180 (7.1)	840 (188580)	19.8 (43.61)
Z-130S	52 (2.047)	52 (2.047)	56 (2.205)	280 (11.0)	1300 (291850)	39.1 (86.12)

21. Clevises (Type ZS)

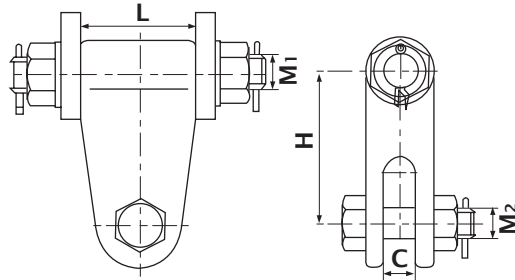
Material : Galvanized steel  
 Hardware -Galvanized steel  
 Cotter and Pin-Stainless steel



Catalog Number	Dimensions mm (in)					Failure Load kN (LBS)	Weight kg (LBS)
	C	b	M	d	h		
ZS-7	18 (0.709)	16 (0.630)	16 (0.630)	20 (0.787)	60 (2.362)	70 (15715)	0.6 (1.32)
ZS-10	20 (0.787)	18 (0.709)	18 (0.709)	20 (0.787)	80 (3.150)	100 (22450)	0.9 (1.98)
ZS-12	22 (0.866)	22 (0.866)	22 (0.866)	24 (0.945)	80 (3.150)	120 (26940)	1.0 (2.20)
ZS-16	26 (1.024)	24 (0.945)	24 (0.945)	26 (1.024)	90 (3.543)	160 (35920)	1.9 (4.19)
ZS-25	33 (1.299)	30 (1.181)	30 (1.181)	33 (1.299)	120 (4.7)	250 (56125)	4.4 (9.69)
ZS-30	38 (1.496)	34 (1.339)	36 (1.417)	39 (1.535)	150 (5.9)	300 (67350)	5.4 (11.89)
ZS-665	20 (0.787)	22 (0.866)	16 (0.630)	20 (0.787)	65 (2.559)	60 (13470)	0.7 (1.54)
ZS-32G	32 (1.260)	28 (1.102)	30 (1.181)	33 (1.299)	130 (5.1)	320 (71840)	4.5 (9.91)
ZS-64G	42 (1.654)	36 (1.417)	42 (1.654)	45 (1.772)	150 (5.9)	640 (143680)	8.6 (18.94)

22. Clevises (Type ZBS)

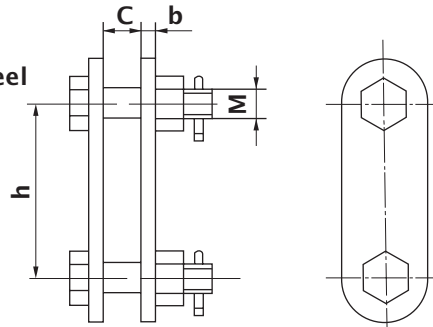
Material : Galvanized forged steel  
 Hardware-Galvanized steel  
 Cotter and Pin-Stainless steel



Catalog Number	Dimensions mm (in)					Failure Load kN (LBS)	Weight kg (LBS)
	C	M1	M2	H	L		
ZBS-16	26 (1.024)	24 (0.945)	24 (0.945)	100 (3.9)	60 (2.362)	160 (35920)	4.8 (10.57)
ZBS-20	26 (1.024)	24 (0.945)	24 (0.945)	100 (3.9)	60 (2.362)	200 (44900)	4.6 (10.13)
ZBS-21	30 (1.181)	27 (1.063)	27 (1.063)	100 (3.9)	36 (1.417)	210 (47145)	3.6 (7.93)
ZBS-32	38 (1.496)	36 (1.417)	36 (1.417)	136 (5.4)	32 (1.260)	320 (71840)	8.7 (19.16)
ZBS-21S	22 (0.866)	24 (0.945)	24 (0.945)	100 (3.9)	64 (2.520)	210 (47145)	3.6 (7.93)
ZBS-32S	32 (1.260)	30 (1.181)	30 (1.181)	140 (5.5)	60 (2.362)	320 (71840)	6.5 (14.32)
ZBS-42S	36 (1.417)	36 (1.417)	36 (1.417)	140 (5.5)	60 (2.362)	420 (94290)	9.1 (20.04)
ZBS-64S	38 (1.496)	42 (1.654)	36 (1.417)	180 (7.1)	136 (5.354)	640 (143680)	19.0 (41.85)
ZBS-84S	42 (1.654)	48 (1.890)	42 (1.654)	180 (7.1)	124 (4.882)	840 (188580)	21.7 (47.80)
ZBS-32/16	26 (1.024)	36 (1.417)	24 (0.945)	140 (5.5)	60 (2.362)	320 (71840)	8.4 (18.50)
ZBS-32/21	30 (1.181)	36 (1.417)	27 (1.063)	140 (5.5)	60 (2.362)	320 (71840)	8.6 (18.94)
ZBS-32/16S	22 (0.866)	36 (1.417)	24 (0.945)	140 (5.5)	60 (2.362)	320 (71840)	7.3 (16.08)
ZBS-32/21S	24 (0.945)	36 (1.417)	24 (0.945)	140 (5.5)	60 (2.362)	320 (71840)	7.3 (16.08)
ZBS-32S/16	22 (0.866)	30 (1.181)	24 (0.945)	120 (4.7)	60 (2.362)	320 (71840)	5.6 (12.33)
ZBS-32S/21	24 (0.945)	30 (1.181)	24 (0.945)	120 (4.7)	60 (2.362)	320 (71840)	5.6 (12.33)
ZBS-64/42	38 (1.496)	36 (1.417)	36 (1.417)	150 (5.9)	60 (2.362)	420 (94290)	8.2 (18.06)

**23. Double Straps (Type P)**

Material : Galvanized steel  
 Hardware -Galvanized steel  
 Cotter and Pin-Stainless steel



23-1

Catalog Number	Dimensions mm (in)				Failure Load kN (LBS)	Weight kg (LBS)
	b	C	M	h		
P-7	6 (0.236)	18 (0.709)	16 (0.630)	70 (2.756)	70 (15715)	0.6 (1.32)
P-10	8 (0.315)	20 (0.787)	18 (0.709)	80 (3.150)	100 (22450)	0.9 (1.98)
P-12	10 (0.394)	24 (0.945)	22 (0.866)	90 (3.543)	120 (26940)	1.5 (3.30)
P-16	12 (0.472)	26 (1.024)	24 (0.945)	100 (3.9)	160 (35920)	2.4 (5.29)
P-21	14 (0.551)	30 (1.181)	27 (1.063)	120 (4.7)	210 (47145)	4.1 (9.03)
P-2118	14 (0.551)	30 (1.181)	27 (1.063)	180 (7.1)	210 (47145)	5.1 (11.23)
P-2124	14 (0.551)	30 (1.181)	27 (1.063)	240 (9.4)	210 (47145)	6.0 (13.22)
P-2130	14 (0.551)	30 (1.181)	27 (1.063)	300 (11.8)	210 (47145)	6.9 (15.20)
P-2136	14 (0.551)	30 (1.181)	27 (1.063)	360 (14.2)	210 (47145)	7.8 (17.18)
P-2142	14 (0.551)	30 (1.181)	27 (1.063)	420 (16.5)	210 (47145)	8.7 (19.16)
P-2148	14 (0.551)	30 (1.181)	27 (1.063)	480 (18.9)	210 (47145)	9.7 (21.37)
P-2154	14 (0.551)	30 (1.181)	27 (1.063)	540 (21.3)	210 (47145)	10.6 (23.35)
P-25	16 (0.630)	34 (1.339)	30 (1.181)	120 (4.7)	250 (56125)	5.3 (11.67)
P-2518	16 (0.630)	34 (1.339)	30 (1.181)	180 (7.1)	250 (56125)	6.5 (14.32)
P-2524	16 (0.630)	34 (1.339)	30 (1.181)	240 (9.4)	250 (56125)	7.7 (16.96)
P-2530	16 (0.630)	34 (1.339)	30 (1.181)	300 (11.8)	250 (56125)	8.9 (19.60)
P-2536	16 (0.630)	34 (1.339)	30 (1.181)	360 (14.2)	250 (56125)	9.2 (20.26)
P-2542	16 (0.630)	34 (1.339)	30 (1.181)	420 (16.5)	250 (56125)	10.3 (22.69)
P-2548	16 (0.630)	34 (1.339)	30 (1.181)	480 (18.9)	250 (56125)	11.5 (25.33)
P-2554	16 (0.630)	34 (1.339)	30 (1.181)	540 (21.3)	250 (56125)	12.7 (27.97)
P-30	16 (0.630)	38 (1.496)	36 (1.417)	120 (4.7)	300 (67350)	4.7 (10.35)
P-3018	16 (0.630)	38 (1.496)	36 (1.417)	180 (7.1)	300 (67350)	6.1 (13.44)
P-3024	16 (0.630)	38 (1.496)	36 (1.417)	240 (9.4)	300 (67350)	7.3 (16.08)
P-3030	16 (0.630)	38 (1.496)	36 (1.417)	300 (11.8)	300 (67350)	8.4 (18.50)
P-3036	16 (0.630)	38 (1.496)	36 (1.417)	360 (14.2)	300 (67350)	9.1 (20.04)
P-3042	16 (0.630)	38 (1.496)	36 (1.417)	420 (16.5)	300 (67350)	10.9 (24.01)





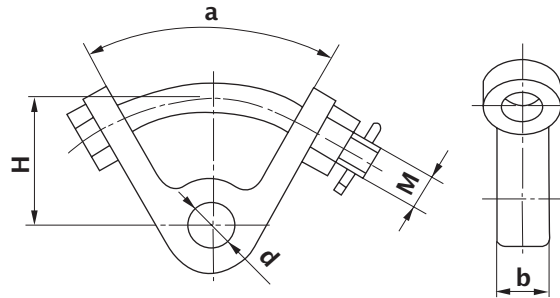
23-2

Catalog Number	Dimensions mm (in)				Failure Load kN (LBS)	Weight kg (LBS)
	b	C	M	h		
P-3048	16 (0.630)	38 (1.496)	36 (1.417)	480 (18.9)	300 (67350)	12.1 (26.65)
P-3054	16 (0.630)	38 (1.496)	36 (1.417)	540 (21.3)	300 (67350)	13.3 (29.30)
P-5012	18 (0.709)	44 (1.732)	42 (1.654)	120 (4.7)	500 (112250)	10.7 (23.57)
P-5018	18 (0.709)	44 (1.732)	42 (1.654)	180 (7.1)	500 (112250)	11.9 (26.21)
P-5020	18 (0.709)	44 (1.732)	42 (1.654)	200 (7.9)	500 (112250)	11.8 (25.99)
P-5026	18 (0.709)	44 (1.732)	42 (1.654)	260 (10.2)	500 (112250)	12.6 (27.75)
P-16S	10 (0.394)	22 (0.866)	24 (0.945)	90 (3.5)	160 (35920)	2.2 (4.85)
P-21S	10 (0.394)	24 (0.945)	24 (0.945)	120 (4.7)	210 (47145)	2.5 (5.51)
P-2130S	10 (0.394)	24 (0.945)	24 (0.945)	300 (11.8)	210 (47145)	4.3 (9.47)
P-2136S	10 (0.394)	24 (0.945)	24 (0.945)	360 (14.2)	210 (47145)	1.9 (4.19)
P-32S	14 (0.551)	32 (1.260)	30 (1.181)	180 (7.1)	320 (71840)	5.9 (13.00)
P-3212S	14 (0.551)	32 (1.260)	30 (1.181)	120 (4.7)	320 (71840)	4.4 (9.69)
P-3220S	14 (0.551)	32 (1.260)	30 (1.181)	200 (7.9)	320 (71840)	6.2 (13.66)
P-3230S	14 (0.551)	32 (1.260)	30 (1.181)	300 (11.8)	320 (71840)	7.9 (17.40)
P-3236S	14 (0.551)	32 (1.260)	30 (1.181)	360 (14.2)	320 (71840)	8.9 (19.60)
P-3240S	14 (0.551)	32 (1.260)	30 (1.181)	400 (15.7)	320 (71840)	9.6 (21.15)
P-42S	16 (0.630)	38 (1.496)	36 (1.417)	200 (7.9)	420 (94290)	8.6 (18.94)
P-4223S	16 (0.630)	38 (1.496)	36 (1.417)	230 (9.1)	420 (94290)	8.8 (19.38)
P-4226S	16 (0.630)	38 (1.496)	36 (1.417)	260 (10.2)	420 (94290)	10.0 (22.03)
P-4229S	16 (0.630)	38 (1.496)	36 (1.417)	290 (11.4)	420 (94290)	11.3 (24.89)
P-4232S	16 (0.630)	38 (1.496)	36 (1.417)	320 (12.6)	420 (94290)	11.4 (25.11)
P-4238S	16 (0.630)	38 (1.496)	36 (1.417)	380 (15.0)	420 (94290)	12.6 (27.75)
P-4244S	16 (0.630)	38 (1.496)	36 (1.417)	440 (17.3)	420 (94290)	13.8 (30.40)
P-4250S	16 (0.630)	38 (1.496)	36 (1.417)	500 (19.7)	420 (94290)	14.3 (31.50)
P-5012S	18 (0.709)	38 (1.496)	36 (1.417)	120 (4.7)	500 (112250)	7.4 (16.30)
P-6412S	20 (0.787)	42 (1.654)	42 (1.654)	120 (4.7)	640 (143680)	11.4 (25.11)
P-64135S	20 (0.787)	42 (1.654)	42 (1.654)	135 (5.3)	640 (143680)	11.5 (25.33)
P-64150S	20 (0.787)	42 (1.654)	42 (1.654)	150 (5.9)	640 (143680)	12.4 (27.31)
P-64200S	20 (0.787)	42 (1.654)	42 (1.654)	200 (7.9)	640 (143680)	14.0 (30.84)
P-64230S	20 (0.787)	42 (1.654)	42 (1.654)	230 (9.1)	640 (143680)	15.0 (33.04)
P-64240S	20 (0.787)	42 (1.654)	42 (1.654)	240 (9.4)	640 (143680)	14.8 (32.60)
P-64260S	20 (0.787)	42 (1.654)	42 (1.654)	260 (10.2)	640 (143680)	15.9 (35.02)
P-64290S	20 (0.787)	42 (1.654)	42 (1.654)	290 (11.4)	640 (143680)	16.8 (37.00)
P-64320S	20 (0.787)	42 (1.654)	42 (1.654)	320 (12.6)	640 (143680)	17.8 (39.21)
P-64350S	20 (0.787)	42 (1.654)	42 (1.654)	350 (13.8)	640 (143680)	18.7 (41.19)
P-84135S	20 (0.787)	44 (1.732)	48 (1.890)	135 (5.3)	840 (188580)	15.4 (33.92)
P-84180S	20 (0.787)	44 (1.732)	48 (1.890)	180 (7.1)	840 (188580)	17.1 (37.67)
P-84200S	20 (0.787)	44 (1.732)	48 (1.890)	200 (7.9)	840 (188580)	22.1 (48.68)
P-84240S	20 (0.787)	44 (1.732)	48 (1.890)	240 (9.4)	840 (188580)	12.58 (27.71)
P-84300S	20 (0.787)	44 (1.732)	48 (1.890)	300 (11.8)	840 (188580)	16.0 (35.24)
P-84310S	20 (0.787)	44 (1.732)	48 (1.890)	310 (12.2)	840 (188580)	22.1 (48.68)



24. Clevis Eyes (Type V, VD, YD)

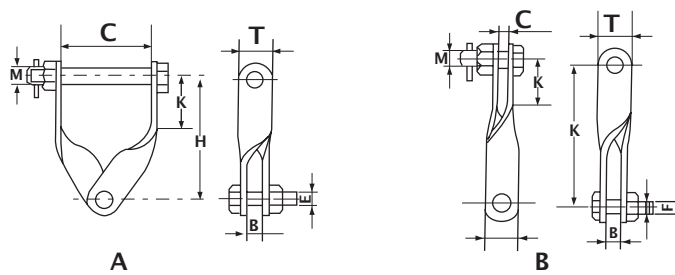
Material : Galvanized forged steel  
 Hardware -Galvanized steel  
 Cotter and Pin-Stainless steel



Catalog Number	Dimensions mm (in)					Failure Load kN (LBS)	Weight kg (LBS)
	d	M	b	H	a		
V-7	18 (0.709)	20 (0.787)	40 (1.575)	75 (2.953)	60°	70 (15715)	1.8 (3.96)
V-8	18 (0.709)	20 (0.787)	38 (1.496)	70 (2.756)	45°	80 (17960)	1.5 (3.30)
V-7.1	18 (0.709)	20 (0.787)	28 (1.102)	75 (2.953)	45°	70 (15715)	1.6 (3.52)
V-10.1	- (-)	20 (0.787)	38 (1.496)	89 (3.504)	45°	100 (22450)	1.7 (3.74)
VD-7	18 (0.709)	20 (0.787)	28 (1.102)	75 (2.953)	60°	70 (15715)	1.4 (3.08)
VD-7.1	18 (0.709)	20 (0.787)	28 (1.102)	75 (2.953)	60°	70 (15715)	1.7 (3.74)
VD-7.2	18 (0.709)	20 (0.787)	28 (1.102)	60 (2.362)	60°	70 (15715)	1.2 (2.64)
VD-8.1	18 (0.709)	20 (0.787)	38 (1.496)	80 (3.150)	45°	80 (17960)	1.8 (3.96)
YD-7	18 (0.709)	20 (0.787)	22 (0.866)	95 (3.740)	45°	70 (15715)	1.1 (2.42)

25. Clevis Eyes (Type VB)

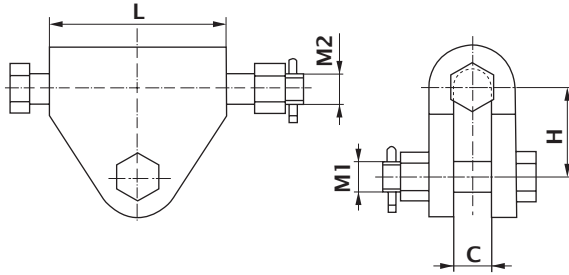
Material : Galvanized steel  
 Hardware-Galvanized steel  
 Cotter and Pin-Stainless steel



Catalog Number	Dimensions mm (in)							Failure Load kN (LBS)	Weight kg (LBS)
	B	C	M	E	H	K	T		
VB-7A	16 (0.630)	102 (4.0)	16 (0.630)	16 (0.630)	143 (5.6)	48 (1.890)	38 (1.496)	70 (15715)	1.42 (3.13)
VB-7B	16 (0.630)	13 (0.512)	16 (0.630)	16 (0.630)	165 (6.5)	51 (2.008)	38 (1.496)	70 (15715)	1.25 (2.75)
VB-12A	20 (0.787)	110 (4.3)	22 (0.866)	22 (0.866)	150 (5.9)	50 (1.969)	60 (2.362)	120 (26940)	2.50 (5.51)
VB-12B	20 (0.787)	20 (0.787)	22 (0.866)	22 (0.866)	165 (6.5)	51 (2.008)	60 (2.362)	120 (26940)	2.10 (4.63)

26. Clevis Hinges (Type UB)

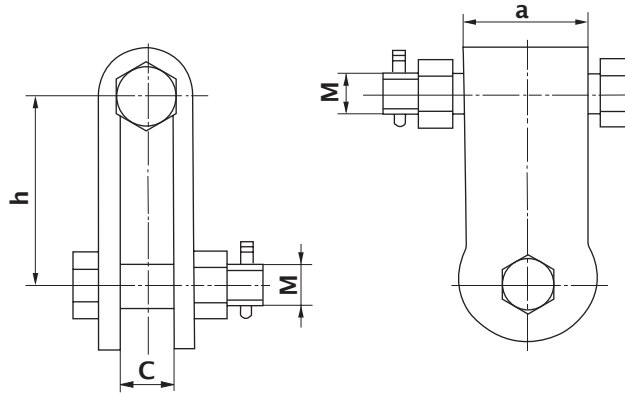
Material : Galvanized steel  
 Hardware-Galvanized steel  
 Cotter and Pin-Stainless steel



26-1

Catalog Number	Dimensions mm (in)					Failure Load kN (LBS)	Weight kg (LBS)
	C	L	M1	M2	H		
UB-25T	24 (0.945)	140 (5.512)	22 (0.866)	22 (0.866)	55 (2.165)	250 (56125)	4.5 (9.91)

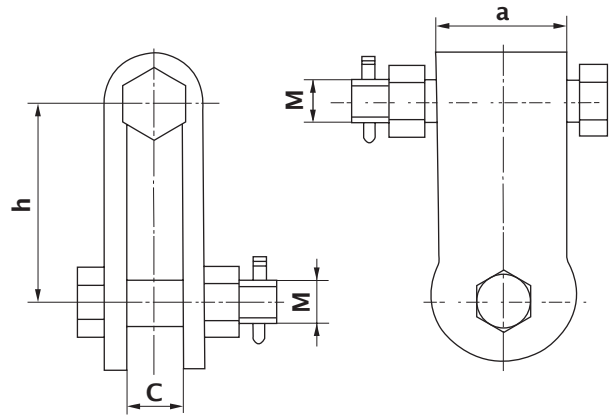
Material : Galvanized steel  
 Hardware-Galvanized steel  
 Cotter and Pin-Stainless steel



26-2

Catalog Number	Dimensions mm (in)				Failure Load kN (LBS)	Weight kg (LBS)
	C	M	h	a		
UB-7	18 (0.709)	16 (0.630)	70 (2.756)	45 (1.772)	70 (15715)	0.8 (1.76)
UB-10	20 (0.787)	18 (0.709)	80 (3.150)	45 (1.772)	100 (22450)	1.1 (2.42)
UB-12	24 (0.945)	22 (0.866)	100 (3.9)	60 (2.362)	120 (26940)	2.8 (6.17)
UB-16	26 (1.024)	24 (0.945)	100 (3.9)	60 (2.362)	160 (35920)	2.9 (6.39)
UB-21	30 (1.181)	27 (1.063)	120 (4.7)	72 (2.835)	210 (47145)	4.6 (10.13)
UB-21A	26 (1.024)	24 (0.945)	120 (4.7)	60 (2.362)	210 (47145)	2.9 (6.39)
UB-25	30 (1.181)	30 (1.181)	120 (4.7)	62 (2.441)	250 (56125)	5.3 (11.67)
UB-30	38 (1.496)	36 (1.417)	130 (5.1)	80 (3.150)	300 (67350)	11.0 (24.23)
UB-40	44 (1.732)	42 (1.654)	120 (4.7)	90 (3.543)	400 (89800)	13.5 (29.74)
UB-16S	22 (0.866)	24 (0.945)	90 (3.543)	60 (2.362)	160 (35920)	3.5 (7.71)
UB-25Si	22 (0.866)	27 (1.063)	120 (4.7)	70 (2.756)	250 (56125)	4.4 (9.69)
UB-50S	40 (1.575)	36 (1.417)	150 (5.9)	96 (3.780)	500 (112250)	10.3 (22.69)
UB-9-1	20 (0.787)	18 (0.709)	65 (2.559)	45 (1.772)	90 (20205)	0.6 (1.32)

Material : Galvanized steel  
 Hardware-Galvanized steel  
 Cotters and Pin-Stainless steel

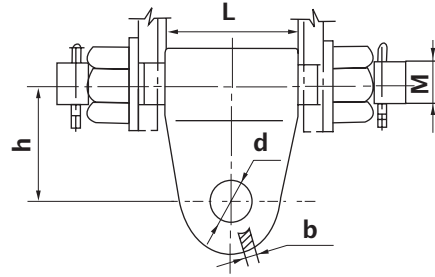


26-3

Catalog Number	Dimensions mm (in)				Failure Load kN (LBS)	Weight kg (LBS)
	C	M	h	a		
UB-4	20 (0.787)	16 (0.630)	70 (2.756)	24 (0.945)	40 (8980)	0.5 (1.10)
UB-7.1	20 (0.787)	16 (0.630)	65 (2.559)	40 (1.575)	70 (15715)	0.7 (1.54)
UB-9.1	26 (1.024)	22 (0.866)	75 (2.953)	40 (1.575)	90 (20205)	1.3 (2.86)
UB-10T	20 (0.787)	18 (0.709)	70 (2.756)	38 (1.496)	100 (22450)	0.8 (1.76)
UB-12T	24 (0.945)	22 (0.866)	100 (3.937)	45 (1.772)	120 (26940)	2.1 (4.63)
UB-16T	26 (1.024)	24 (0.945)	100 (3.937)	45 (1.772)	160 (35920)	2.3 (5.07)
UB-21T	30 (1.181)	27 (1.063)	120 (4.724)	60 (2.362)	210 (47145)	2.5 (5.51)
UB-30T	40 (1.575)	36 (1.417)	150 (5.906)	60 (2.362)	300 (67350)	3.7 (8.15)
UB-6-1	20 (0.787)	16 (0.630)	65 (2.559)	30 (1.181)	60 (13470)	0.9 (1.98)
UB-8-1	22 (0.866)	16 (0.630)	90 (3.543)	40 (1.575)	80 (17960)	0.9 (1.98)
UB-10-1	22 (0.866)	18 (0.709)	75 (2.953)	40 (1.575)	100 (22450)	0.9 (1.98)

27. Tower connecting Hinges (Type LT, EB)

Material : Galvanized forged steel  
 Hardware-Galvanized steel  
 Cotter and Pin-Stainless steel

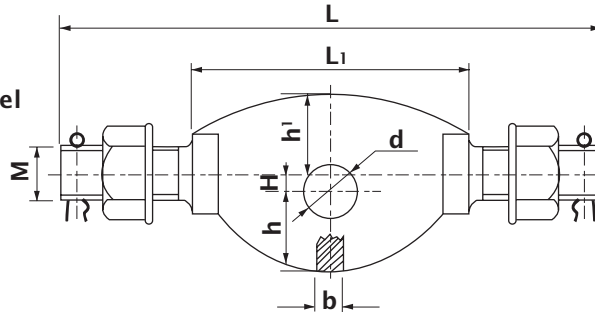


Catalog Number	Dimensions mm (in)					Failure Load kN (LBS)	Weight kg (LBS)
	b	d	h	M	L		
LT-10	16 (0.630)	20 (0.787)	100 (3.9)	24 (0.945)	80 (3.150)	100 (22450)	1.9 (4.19)
LT-16	18 (0.709)	26 (1.024)	100 (3.9)	24 (0.945)	80 (3.150)	160 (35920)	3.5 (7.71)
LT-21	26 (1.024)	30 (1.181)	100 (3.9)	27 (1.063)	80 (3.150)	210 (47145)	4.9 (10.79)
LT-30	32 (1.260)	39 (1.535)	100 (3.9)	36 (1.417)	80 (3.150)	300 (67350)	6.8 (14.98)
EB-12	18 (0.709)	18 (0.709)	80 (3.150)	20 (0.787)	70 (2.756)	120 (26940)	1.9 (4.19)
EB-50D	34 (1.339)	39 (1.535)	125 (4.9)	36 (1.417)	116 (4.6)	500 (112250)	8.6 (18.94)
EB-50D.1	34 (1.339)	45 (1.772)	125 (4.9)	36 (1.417)	116 (4.6)	500 (112250)	8.6 (18.94)
EB-70	38 (1.496)	45 (1.772)	125 (4.9)	42 (1.654)	136 (5.4)	700 (157150)	14.4 (31.72)
EB-70A	38 (1.496)	45 (1.772)	150 (5.9)	64 (2.520)	195 (7.7)	700 (157150)	29.9 (65.86)
EB-70B	42 (1.654)	51 (2.008)	150 (5.9)	64 (2.520)	195 (7.7)	700 (157150)	31.0 (68.28)
EB-70C	38 (1.496)	45 (1.772)	125 (4.9)	42 (1.654)	116 (4.6)	700 (157150)	14.2 (31.28)
LT-16S	18 (0.709)	24 (0.945)	100 (3.9)	24 (0.945)	80 (3.150)	160 (35920)	2.5 (5.51)
LT-21S	20 (0.787)	26 (1.024)	100 (3.9)	24 (0.945)	80 (3.150)	210 (47145)	3.3 (7.27)
LT-25S	20 (0.787)	26 (1.024)	100 (3.9)	27 (1.063)	80 (3.150)	250 (56125)	4.0 (8.81)
LT-32S	26 (1.024)	30 (1.181)	100 (3.9)	30 (1.181)	80 (3.150)	320 (71840)	4.2 (9.25)
LT-42S	30 (1.181)	33 (1.299)	100 (3.9)	36 (1.417)	86 (3.386)	420 (94290)	5.9 (13.00)
LT-42S1	30 (1.181)	33 (1.299)	100 (3.9)	36 (1.417)	80 (3.150)	420 (94290)	6.0 (13.22)
EB-64S	34 (1.339)	39 (1.535)	125 (4.9)	42 (1.654)	116 (4.6)	640 (143680)	10.4 (22.91)
EB-70S	38 (1.496)	45 (1.772)	125 (4.9)	42 (1.654)	116 (4.6)	700 (157150)	12.4 (27.31)
EB-84S	36 (1.417)	45 (1.772)	180 (7.1)	48 (1.890)	136 (5.4)	840 (188580)	17.9 (39.43)
EB-150S1	40 (1.575)	55 (2.165)	200 (7.9)	72 (2.835)	136 (5.4)	1100 (246950)	38.0 (83.70)
<b>For 750kV lines</b>							
R-21S	20 (0.787)	26 (1.024)	120 (4.7)	36 (1.417)	112 (4.4)	210 (47145)	4.4 (9.69)
R-32S	28 (1.102)	33 (1.299)	120 (4.7)	36 (1.417)	112 (4.4)	320 (71840)	5.0 (11.01)
R-42S	32 (1.260)	39 (1.535)	120 (4.7)	36 (1.417)	112 (4.4)	420 (94290)	6.6 (14.54)
EB-50S	32 (1.260)	39 (1.535)	120 (4.7)	36 (1.417)	112 (4.4)	500 (112250)	7.0 (15.42)
<b>For ±800kV lines</b>							
EB-64/25S-116	24 (0.945)	30 (1.181)	125 (4.9)	42 (1.654)	116 (4.6)	250 (56125)	10.2 (22.47)
EB-64/32S-116	28 (1.102)	33 (1.299)	125 (4.9)	42 (1.654)	116 (4.6)	320 (71840)	10.7 (23.57)
EB-64/42S-116	32 (1.260)	39 (1.535)	125 (4.9)	42 (1.654)	116 (4.6)	420 (94290)	11.3 (24.89)
EB-64/55S-116	36 (1.417)	45 (1.772)	125 (4.9)	42 (1.654)	116 (4.6)	550 (123475)	12.4 (27.31)
EB-120/32S	28 (1.102)	33 (1.299)	200 (7.9)	56 (2.205)	136 (5.4)	320 (71840)	24.7 (54.41)
EB-120/42S	32 (1.260)	39 (1.535)	200 (7.9)	56 (2.205)	136 (5.4)	420 (94290)	25.9 (57.05)
EB-120/55S	36 (1.417)	45 (1.772)	200 (7.9)	56 (2.205)	136 (5.4)	550 (123475)	27.1 (59.69)
EB-120/64S	36 (1.417)	45 (1.772)	200 (7.9)	56 (2.205)	136 (5.4)	640 (143680)	27.1 (59.69)
EB-120/84S	36 (1.417)	51 (2.008)	200 (7.9)	56 (2.205)	136 (5.4)	840 (188580)	27.7 (61.01)
EB-120/110S	40 (1.575)	55 (2.165)	200 (7.9)	56 (2.205)	136 (5.4)	1100 (246950)	30.3 (66.74)



28. Clevis Hinges

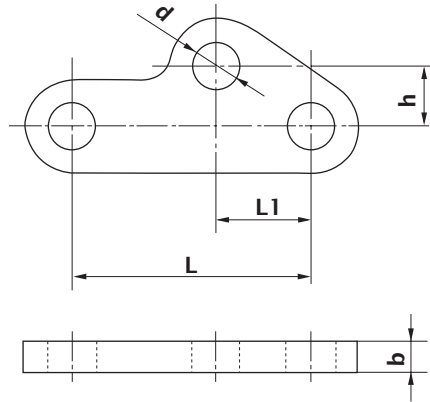
Material : Galvanized forged steel  
 Hardware-Galvanized steel  
 Cotter and Pin-Stainless steel



Catalog Number	Dimensions mm (in)								Failure Load kN (LBS)	Weight kg (LBS)
	L	L1	d	M	H	b	h	h1		
GD-12S	200 (7.9)	112 (4.4)	24 (0.945)	22 (0.866)	12 (0.472)	16 (0.630)	40 (1.575)	35 (1.378)	120 (26940)	1.7 (3.74)
GD-16S	240 (9.4)	112 (4.4)	26 (1.024)	24 (0.945)	12 (0.472)	18 (0.709)	40 (1.575)	35 (1.378)	160 (35920)	2.0 (4.41)
GD-21S	230 (9.1)	112 (4.4)	26 (1.024)	24 (0.945)	12 (0.472)	20 (0.787)	40 (1.575)	35 (1.378)	210 (47145)	1.7 (3.74)
GD-32S	240 (9.4)	112 (4.4)	33 (1.299)	30 (1.181)	12 (0.472)	28 (1.102)	40 (1.575)	35 (1.378)	320 (71840)	3.6 (7.93)
GD-42S	278 (10.9)	130 (5.1)	39 (1.535)	36 (1.417)	12 (0.472)	32 (1.260)	45 (1.772)	35 (1.378)	420 (94290)	4.2 (9.25)
GD-50S	278 (10.9)	130 (5.1)	39 (1.535)	36 (1.417)	12 (0.472)	32 (1.260)	48 (1.890)	50 (1.969)	500 (112250)	4.4 (9.69)
GD-12	240 (9.4)	112 (4.4)	24 (0.945)	22 (0.866)	30 (1.181)	18 (0.709)	30 (1.181)	35 (1.378)	120 (26940)	1.35 (2.97)
GD-21	235 (9.3)	112 (4.4)	30 (1.181)	24 (0.945)	8 (0.315)	22 (0.866)	35 (1.378)	35 (1.378)	210 (47145)	1.8 (3.96)
GD-30	264 (10.4)	112 (4.4)	33 (1.299)	30 (1.181)	12 (0.472)	30 (1.181)	46.5 (1.831)	35 (1.378)	300 (67350)	3.3 (7.27)
GD-50	264 (10.4)	112 (4.4)	44 (1.732)	36 (1.417)	12 (0.472)	34 (1.339)	50 (1.969)	40 (1.575)	500 (112250)	6.0 (13.22)
GD-60	290 (11.4)	112 (4.4)	50 (1.969)	42 (1.654)	16 (0.630)	42 (1.654)	50 (1.969)	46 (1.811)	600 (134700)	6.5 (14.32)
GD-64S	308 (12.1)	136 (5.4)	45 (1.772)	42 (1.654)	12 (0.472)	36 (1.417)	55 (2.165)	50 (1.969)	640 (143680)	6.5 (14.32)
GD-84S	376 (14.8)	170 (6.7)	51 (2.008)	48 (1.890)	20 (0.787)	36 (1.417)	62 (2.441)	70 (2.756)	840 (188580)	11.1 (24.45)
GD-12S <sub>1</sub>	230 (9.1)	112 (4.4)	24 (0.945)	22 (0.866)	12 (0.472)	16 (0.630)	40 (1.575)	35 (1.378)	120 (26940)	1.6 (3.52)
GD-21S <sub>1</sub>	250 (9.8)	112 (4.4)	26 (1.024)	24 (0.945)	12 (0.472)	20 (0.787)	40 (1.575)	35 (1.378)	210 (47145)	2.1 (4.63)
GD-32S <sub>1</sub>	252 (9.9)	112 (4.4)	30 (1.181)	30 (1.181)	12 (0.472)	26 (1.024)	40 (1.575)	35 (1.378)	320 (71840)	1.9 (4.19)
GD-50S <sub>1</sub>	290 (11.4)	130 (5.1)	39 (1.535)	36 (1.417)	12 (0.472)	32 (1.260)	48 (1.890)	50 (1.969)	500 (112250)	5.1 (11.23)
GD-64S <sub>1</sub>	308 (12.1)	136 (5.4)	45 (1.772)	42 (1.654)	12 (0.472)	36 (1.417)	55 (2.165)	50 (1.969)	640 (143680)	6.5 (14.32)
GD-84S <sub>1</sub>	376 (14.8)	170 (6.7)	51 (2.008)	48 (1.890)	20 (0.787)	36 (1.417)	62 (2.441)	70 (2.756)	840 (188580)	11.1 (24.45)
For ±800kV lines										
GD-32/21S	240 (9.4)	112 (4.4)	26 (1.024)	30 (1.181)	12 (0.472)	20 (0.787)	40 (1.575)	35 (1.378)	210 (47145)	3.5 (7.71)
GD-64SL/42	300 (11.8)	130 (5.1)	39 (1.535)	42 (1.654)	40 (1.575)	32 (1.260)	55 (2.165)	50 (1.969)	420 (94290)	7.2 (15.86)
GD-64SL	300 (11.8)	130 (5.1)	45 (1.772)	42 (1.654)	40 (1.575)	36 (1.417)	55 (2.165)	50 (1.969)	640 (143680)	7.6 (16.74)
GD-24	248 (9.8)	112 (4.4)	30 (1.181)	27 (1.063)	12 (0.472)	24 (0.945)	42 (1.654)	35 (1.378)	240 (53880)	4.6 (10.13)
GD-42S/21	280 (11.0)	130 (5.1)	26 (1.024)	36 (1.417)	40 (1.575)	20 (0.787)	32 (1.260)	35 (1.378)	210 (47145)	5.6 (12.33)
GD-42S/32	280 (11.0)	130 (5.1)	33 (1.299)	36 (1.417)	40 (1.575)	28 (1.102)	43 (1.693)	40 (1.575)	320 (71840)	6.8 (14.98)
GD-50S/42	280 (11.0)	130 (5.1)	39 (1.535)	36 (1.417)	65 (2.559)	32 (1.260)	50 (1.969)	50 (1.969)	420 (94290)	7.9 (17.40)
GD-84S/42	350 (13.8)	150 (5.9)	39 (1.535)	48 (1.890)	40 (1.575)	32 (1.260)	55 (2.165)	70 (2.756)	420 (94290)	9.8 (21.59)
GD-84S/64	350 (13.8)	150 (5.9)	45 (1.772)	48 (1.890)	40 (1.575)	36 (1.417)	58 (2.283)	70 (2.756)	640 (143680)	10.6 (23.35)
GD-84SL	350 (13.8)	150 (5.9)	51 (2.008)	48 (1.890)	40 (1.575)	36 (1.417)	66 (2.598)	70 (2.756)	840 (188580)	11.2 (24.67)

29. Towing Plates

Material : Galvanized steel



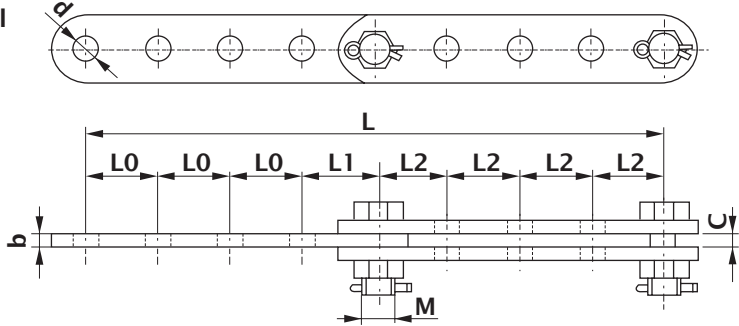
Catalog Number	Dimensions mm (in)					Failure Load kN (LBS)	Weight kg (LBS)
	L	L1	b	d	h		
QY-7	100 (3.9)	38 (1.496)	16 (0.630)	18 (0.709)	22 (0.866)	70 (15715)	0.8 (1.76)
QY-10	120 (4.7)	42 (1.654)	16 (0.630)	20 (0.787)	25 (0.984)	100 (22450)	1.0 (2.20)
QY-12	150 (5.9)	52 (2.047)	16 (0.630)	24 (0.945)	30 (1.181)	120 (26940)	1.5 (3.30)
QY-16	180 (7.1)	55 (2.165)	18 (0.709)	26 (1.024)	35 (1.378)	160 (35920)	2.1 (4.63)
QY-21	200 (7.9)	75 (2.953)	26 (1.024)	30 (1.181)	45 (1.772)	210 (47145)	4.0 (8.81)
QY-25	220 (8.7)	85 (3.346)	30 (1.181)	33 (1.299)	50 (1.969)	250 (56125)	6.2 (13.66)
QY-30	240 (9.4)	95 (3.740)	32 (1.260)	39 (1.535)	57 (2.244)	300 (67350)	7.3 (16.08)
QY-42	260 (10.2)	105 (4.1)	32 (1.260)	39 (1.535)	60 (2.362)	420 (94290)	8.08 (17.80)
QY-50	260 (10.2)	100 (3.9)	38 (1.496)	45 (1.772)	70 (2.756)	500 (112250)	15.4 (33.92)
QY-50G	260 (10.2)	100 (3.9)	32 (1.260)	39 (1.535)	70 (2.756)	500 (112250)	8.40 (18.50)
QY-5036	360 (14.2)	120 (4.7)	38 (1.496)	45 (1.772)	70 (2.756)	500 (112250)	13.40 (29.52)
QY-60	260 (10.2)	114 (4.5)	42 (1.654)	51 (2.008)	80 (3.150)	600 (134700)	16.0 (35.24)
QY-60G	260 (10.2)	114 (4.5)	42 (1.654)	45 (1.772)	80 (3.150)	600 (134700)	16.40 (36.12)
QY-21S	200 (7.9)	75 (2.953)	20 (0.787)	26 (1.024)	45 (1.772)	210 (47145)	2.8 (6.17)
QY-42S	260 (10.2)	100 (3.9)	32 (1.260)	39 (1.535)	70 (2.756)	420 (94290)	8.4 (18.50)
QY-64S	260 (10.2)	114 (4.5)	36 (1.417)	45 (1.772)	80 (3.150)	640 (143680)	12.5 (27.53)
QY-32260S	260 (10.2)	95 (3.740)	28 (1.102)	33 (1.299)	57 (2.244)	320 (71840)	7.5 (16.52)
QY-84260S	260 (10.2)	120 (4.7)	36 (1.417)	51 (2.008)	100 (3.9)	840 (188580)	14.3 (31.50)
QY-84G	280 (11.0)	100 (3.9)	36 (1.417)	51 (2.008)	100 (3.9)	840 (188580)	15.20 (33.48)
QY-110S	320 (12.6)	122 (4.8)	32 (1.260)	55 (2.165)	86 (3.386)	1100 (246950)	18.2 (40.09)
For 750kV lines							
QY-64G	280 (11.0)	114 (4.5)	36 (1.417)	45 (1.772)	80 (3.150)	640 (143680)	15.60 (34.36)
QY-84S	260 (10.2)	120 (4.7)	42 (1.654)	51 (2.008)	90 (3.543)	840 (188580)	19.78 (43.57)





30. Adjusting Plates (Type PT)

Material : Galvanized steel  
 Hardware-Galvanized steel  
 Cotter and Pin-Sainless steel



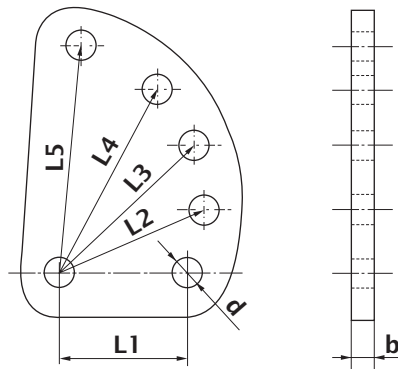
Catalog Number	Dimensions mm (in)								Failure Load kN (LBS)	Weight kg (LBS)
	L0	L1	L2	M	d	b	c	L		
PT-7	45 (1.772)	60 (2.362)	45 (1.772)	16 (0.630)	18 (0.709)	16 (0.630)	18 (0.709)	225~345 (8.9~13.6)	70 (15715)	2.0 (4.41)
PT-10	50 (1.969)	65 (2.559)	50 (1.969)	18 (0.709)	20 (0.787)	16 (0.630)	20 (0.787)	250~390 (9.8~15.4)	100 (22450)	3.0 (6.61)
PT-12	60 (2.362)	75 (2.953)	60 (2.362)	22 (0.866)	24 (0.945)	16 (0.630)	24 (0.945)	300~465 (11.8~18.3)	120 (26940)	5.3 (11.67)
PT-16	65 (2.559)	80 (3.150)	60 (2.362)	24 (0.945)	26 (1.024)	18 (0.709)	26 (1.024)	325~505 (12.8~19.9)	160 (35920)	7.0 (15.42)
PT-21	70 (2.756)	90 (3.543)	70 (2.756)	27 (1.063)	30 (1.181)	26 (1.024)	30 (1.181)	350~550 (13.8~21.7)	210 (47145)	10.1 (22.25)
PT-25	90 (3.543)	90 (3.543)	80 (3.150)	30 (1.181)	33 (1.299)	30 (1.181)	34 (1.339)	410~590 (16.1~23.2)	250 (56125)	14.9 (32.82)
PT-30	80 (3.150)	100 (3.937)	80 (3.150)	36 (1.417)	39 (1.535)	32 (1.260)	38 (1.496)	400~630 (15.7~24.8)	300 (67350)	14.0 (30.84)
PT-30105	75 (2.953)	75 (2.953)	75 (2.953)	30 (1.181)	32 (1.260)	26 (1.024)	30 (1.181)	680~1055 (26.8~41.5)	300 (67350)	21.9 (48.24)
PT-30106	75 (2.953)	75 (2.953)	75 (2.953)	30 (1.181)	32 (1.260)	26 (1.024)	30 (1.181)	690~1060 (27.2~41.7)	300 (67350)	22.1 (48.68)
PT-50	70 (2.756)	80 (3.150)	100 (3.937)	42 (1.654)	45 (1.772)	38 (1.496)	40 (1.575)	740~1280 (29.1~50.4)	500 (112250)	50.0 (110.13)
PT-60	90 (3.543)	80 (3.150)	100 (3.937)	48 (1.890)	51 (2.008)	42 (1.654)	44 (1.732)	820~1390 (32.3~54.7)	600 (134700)	66.0 (145.37)
PT-32S	80 (3.150)	70 (2.756)	60 (2.362)	30 (1.181)	33 (1.299)	28 (1.102)	32 (1.260)	270~500 (10.6~19.7)	320 (71840)	13.3 (29.30)
PT-42S	80 (3.150)	70 (2.756)	80 (3.150)	36 (1.417)	39 (1.535)	32 (1.260)	36 (1.417)	545~945 (21.5~37.2)	420 (94290)	28.0 (61.67)
PT-64S	90 (3.543)	155 (6.1)	100 (3.937)	42 (1.654)	45 (1.772)	36 (1.417)	42 (1.654)	820~1390 (32.3~54.7)	640 (143680)	49.7 (109.47)
PT-84S	90 (3.543)	155 (6.1)	100 (3.937)	48 (1.890)	51 (2.008)	36 (1.417)	44 (1.732)	820~1390 (32.3~54.7)	840 (188580)	57.6 (126.87)
<b>For ±750kV lines</b>										
PT-21A	70 (2.756)	90 (3.543)	70 (2.756)	24 (0.945)	26 (1.024)	20 (0.787)	24 (0.945)	370~580 (14.6~22.8)	210 (47145)	6.00 (13.22)
PT-21B	70 (2.756)	90 (3.543)	70 (2.756)	24 (0.945)	26 (1.024)	20 (0.787)	24 (0.945)	650~1140 (25.6~44.9)	210 (47145)	10.98 (24.19)
PT-32G	100 (3.937)	120 (4.7)	100 (3.937)	30 (1.181)	33 (1.299)	28 (1.102)	32 (1.260)	500~800 (19.7~31.5)	320 (71840)	15.77 (34.74)
<b>For ±800kV lines</b>										
PT-164050	200 (7.9)	100 (3.937)	100 (3.937)	24 (0.945)	26 (1.024)	18 (0.709)	22 (0.866)	400~500 (15.7~19.7)	160 (35920)	6.1 (13.44)
PT-165490	90 (3.543)	90 (3.543)	90 (3.543)	24 (0.945)	26 (1.024)	18 (0.709)	22 (0.866)	540~900 (21.3~35.4)	160 (35920)	9.2 (20.26)
PT-25900S	150 (5.9)	100 (3.937)	100 (3.937)	27 (1.063)	30 (1.181)	24 (0.945)	28 (1.102)	600~900 (23.6~35.4)	250 (56125)	14.8 (32.60)
PT-32900S	150 (5.9)	100 (3.937)	100 (3.937)	30 (1.181)	33 (1.299)	28 (1.102)	32 (1.260)	600~900 (23.6~35.4)	320 (71840)	19.7 (43.39)
PT-42900S	150 (5.9)	100 (3.937)	100 (3.937)	36 (1.417)	39 (1.535)	32 (1.260)	36 (1.417)	600~900 (23.6~35.4)	420 (94290)	24.6 (54.19)
PT-55900S	150 (5.9)	100 (3.937)	100 (3.937)	42 (1.654)	45 (1.772)	36 (1.417)	42 (1.654)	600~900 (23.6~35.4)	550 (123475)	35.4 (77.97)





31. Adjusting Plates (Type DB)

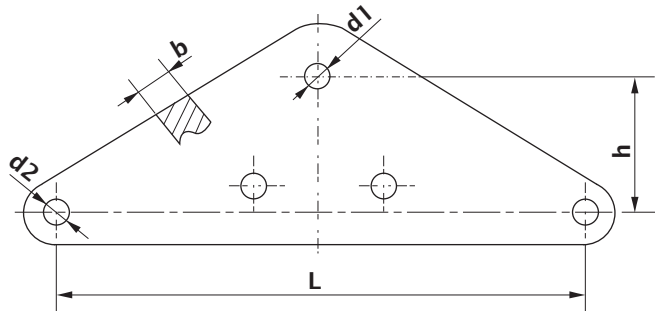
Material : Galvanized steel



Catalog Number	Dimensions mm (in)							Failure Load kN (LBS)	Weight kg (LBS)
	d	b	L1	L2	L3	L4	L5		
DB-7	18 (0.709)	16 (0.630)	70 (2.756)	95 (3.740)	120 (4.7)	145 (5.7)	170 (6.7)	70 (15715)	1.7 (3.74)
DB-10	20 (0.787)	16 (0.630)	80 (3.150)	110 (4.3)	140 (5.5)	170 (6.7)	200 (7.9)	100 (22450)	2.7 (5.95)
DB-12	24 (0.945)	16 (0.630)	100 (3.9)	135 (5.3)	170 (6.7)	205 (8.1)	240 (9.4)	120 (26940)	4.0 (8.81)
DB-16	26 (1.024)	18 (0.709)	110 (4.3)	125 (4.9)	140 (5.5)	155 (6.1)	170 (6.7)	160 (35920)	4.1 (9.03)
DB-21	30 (1.181)	26 (1.024)	120 (4.7)	135 (5.3)	150 (5.9)	165 (6.5)	180 (7.1)	210 (47145)	7.4 (16.30)
DB-25	33 (1.299)	30 (1.181)	120 (4.7)	140 (5.5)	160 (6.3)	180 (7.1)	200 (7.9)	250 (56125)	11.5 (25.33)
DB-30	39 (1.535)	32 (1.260)	120 (4.7)	140 (5.5)	160 (6.3)	180 (7.1)	200 (7.9)	300 (67350)	12.5 (27.53)
DB-50	45 (1.772)	38 (1.496)	140 (5.5)	185 (7.3)	230 (9.1)	275 (10.8)	320 (12.6)	500 (112250)	28.6 (63.00)
DB-60	51 (2.008)	42 (1.654)	135 (5.3)	160 (6.3)	185 (7.3)	210 (8.3)	235 (9.3)	600 (134700)	31.6 (69.60)
DB-16S	26 (1.024)	18 (0.709)	110 (4.3)	125 (4.9)	140 (5.5)	155 (6.1)	170 (6.7)	160 (35920)	4.1 (9.03)
DB-21S	26 (1.024)	20 (0.787)	120 (4.7)	150 (5.9)	165 (6.5)	195 (7.7)	210 (8.3)	210 (47145)	6.8 (14.98)
DB-25S	30 (1.181)	24 (0.945)	120 (4.7)	135 (5.3)	150 (5.9)	165 (6.5)	180 (7.1)	250 (56125)	7.0 (15.42)
DB-32S	33 (1.299)	28 (1.102)	120 (4.7)	140 (5.5)	160 (6.3)	180 (7.1)	200 (7.9)	320 (71840)	11.9 (26.21)
DB-42S	39 (1.535)	32 (1.260)	140 (5.5)	185 (7.3)	230 (9.1)	275 (10.8)	320 (12.6)	420 (94290)	16.5 (36.34)
DB-50S	39 (1.535)	32 (1.260)	140 (5.5)	185 (7.3)	230 (9.1)	275 (10.8)	320 (12.6)	500 (112250)	17.0 (37.44)
DB-64185S	45 (1.772)	36 (1.417)	135 (5.3)	160 (6.3)	185 (7.3)	210 (8.3)	235 (9.3)	640 (143680)	19.4 (42.73)
DB-64230S	45 (1.772)	36 (1.417)	140 (5.5)	185 (7.3)	230 (9.1)	275 (10.8)	320 (12.6)	640 (143680)	21.0 (46.26)
DB-84S	51 (2.008)	36 (1.417)	140 (5.5)	170 (6.7)	200 (7.9)	230 (9.1)	260 (10.2)	840 (188580)	24.8 (54.63)
DB-110S	55 (2.165)	40 (1.575)	170 (6.7)	200 (7.9)	240 (9.4)	280 (11.0)	320 (12.6)	1100 (246950)	34.2 (75.33)
DB-5024	45 (1.772)	38 (1.496)	140 (5.5)	165 (6.5)	190 (7.5)	215 (8.5)	240 (9.4)	500 (112250)	18.5 (40.75)
DB-21G	26 (1.024)	20 (0.787)	120 (4.7)	135 (5.3)	150 (5.9)	165 (6.5)	180 (7.1)	210 (47145)	6.2 (13.66)
DB-50G	39 (1.535)	32 (1.260)	180 (7.1)	205 (8.1)	230 (9.1)	255 (10.0)	280 (11.0)	500 (112250)	17.9 (39.43)
DB-64G	45 (1.772)	36 (1.417)	150 (5.9)	190 (7.5)	230 (9.1)	270 (10.6)	310 (12.2)	640 (143680)	27.5 (60.57)

32. Yoke Plates (Type L, LT, LZ)

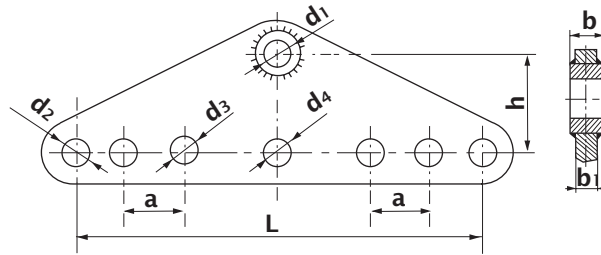
Material : Galvanized steel



32-1

Catalog Number	Dimensions mm (in)					Failure Load kN (LBS)	Weight kg (LBS)
	b	h	d1	d2	L		
L-1040	16 (0.630)	70 (2.756)	20 (0.787)	18 (0.709)	400 (15.7)	100 (22450)	4.5 (9.91)
L-1050	16 (0.630)	130 (5.1)	20 (0.787)	18 (0.709)	500 (19.7)	100 (22450)	7.1 (15.64)
L-1060	16 (0.630)	100 (3.9)	20 (0.787)	18 (0.709)	600 (23.6)	100 (22450)	9.8 (21.59)
L-1240	16 (0.630)	70 (2.756)	24 (0.945)	18 (0.709)	400 (15.7)	120 (26940)	4.7 (10.35)
L-1640	18 (0.709)	100 (3.9)	26 (1.024)	20 (0.787)	400 (15.7)	160 (35920)	5.9 (13.00)

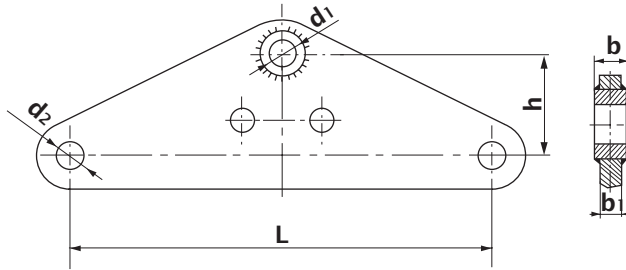
Material : Galvanized steel



32-2

Catalog Number	Dimensions mm (in)									Failure Load kN (LBS)	Weight kg (LBS)
	b	b1	d1	d2	d3	d4	h	a	L		
L-1245	16 (0.630)	16 (0.630)	24 (0.945)	20 (0.787)	18 (0.709)	24 (0.945)	100 (3.9)	60 (2.362)	450 (17.7)	120 (26940)	5.0 (11.01)
L-1645	18 (0.709)	18 (0.709)	26 (1.024)	20 (0.787)	18 (0.709)	20 (0.787)	110 (4.3)	60 (2.362)	450 (17.7)	160 (35920)	7.0 (15.42)
L2-1645	22 (0.866)	22 (0.866)	26 (1.024)	20 (0.787)	18 (0.709)	26 (1.024)	100 (3.9)	60 (2.362)	450 (17.7)	160 (35920)	8.4 (18.50)
L-1645/GH	18 (0.709)	18 (0.709)	26 (1.024)	26 (1.024)	18 (0.709)	26 (1.024)	100 (3.9)	60 (2.362)	450 (17.7)	160 (35920)	6.2 (13.66)
L-1645T	18 (0.709)	18 (0.709)	26 (1.024)	26 (1.024)	18 (0.709)	26 (1.024)	130 (5.1)	60 (2.362)	450 (17.7)	160 (35920)	6.9 (15.20)
L-2145-1	26 (1.024)	18 (0.709)	30 (1.181)	26 (1.024)	18 (0.709)	26 (1.024)	110 (4.3)	60 (2.362)	450 (17.7)	210 (47145)	7.5 (16.52)
L-2545-1	30 (1.181)	22 (0.866)	33 (1.299)	26 (1.024)	18 (0.709)	26 (1.024)	110 (4.3)	60 (2.362)	450 (17.7)	250 (56125)	9.8 (21.59)
L-4045	38 (1.496)	26 (1.024)	30 (1.181)	20 (0.787)	18 (0.709)	-- (-)	110 (4.3)	-- (-)	450 (17.7)	400 (89800)	25.0 (55.07)
L-5055	38 (1.496)	32 (1.260)	45 (1.772)	39 (1.535)	18 (0.709)	-- (-)	250 (9.8)	80 (3.150)	550 (21.7)	500 (112250)	33.0 (72.69)
L-1250S	16 (0.630)	16 (0.630)	24 (0.945)	18 (0.709)	18 (0.709)	20 (0.787)	130 (5.1)	80 (3.150)	500 (19.7)	120 (26940)	8.1 (17.84)
L-1645S	18 (0.709)	18 (0.709)	26 (1.024)	20 (0.787)	18 (0.709)	20 (0.787)	130 (5.1)	60 (2.362)	450 (17.7)	160 (35920)	7.4 (16.30)
L-1650S	18 (0.709)	18 (0.709)	26 (1.024)	20 (0.787)	18 (0.709)	20 (0.787)	130 (5.1)	60 (2.362)	500 (19.7)	160 (35920)	9.1 (20.04)
L-2150S	20 (0.787)	20 (0.787)	26 (1.024)	16 (0.630)	18 (0.709)	16 (0.630)	130 (5.1)	60 (2.362)	500 (19.7)	210 (47145)	8.2 (18.06)
L-2145A	24 (0.945)	18 (0.709)	30 (1.181)	26 (1.024)	18 (0.709)	26 (1.024)	110 (4.3)	60 (2.362)	450 (17.7)	210 (47145)	7.5 (16.52)
L-3250S	28 (1.102)	18 (0.709)	33 (1.299)	26 (1.024)	18 (0.709)	-- (-)	130 (5.1)	-- (-)	500 (19.7)	320 (71840)	12.8 (28.19)
L-3045G	32 (1.260)	22 (0.866)	39 (1.535)	26 (1.024)	18 (0.709)	-- (-)	150 (5.9)	-- (-)	450 (17.7)	300 (67350)	13.5 (29.74)
L-4045G	38 (1.496)	26 (1.024)	45 (1.772)	30 (1.181)	18 (0.709)	-- (-)	175 (6.9)	-- (-)	450 (17.7)	400 (89800)	45.8 (100.88)
<b>For 750kV lines</b>											
L-6455G	36 (1.417)	24 (0.945)	45 (1.772)	33 (1.299)	18 (0.709)	-- (-)	250 (9.8)	-- (-)	550 (21.7)	640 (143680)	29.96 (65.99)

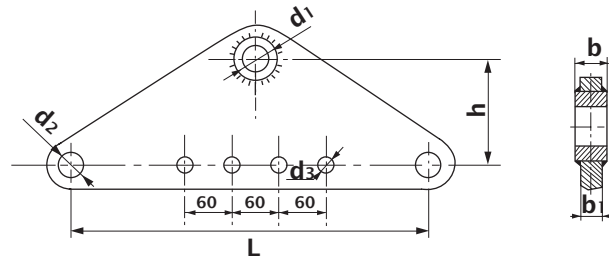
Material : Galvanized steel



32-3

Catalog Number	Dimensions mm (in)						Failure Load kN (LBS)	Weight kg (LBS)
	b	b1	h	d1	d2	L		
L-2050	26 (1.024)	18 (0.709)	200 (7.9)	30 (1.181)	26 (1.024)	500 (19.7)	200 (44900)	11.4 (25.11)
L-2070	26 (1.024)	18 (0.709)	300 (11.8)	30 (1.181)	20 (0.787)	700 (27.6)	200 (44900)	18.2 (40.09)
L-2140	26 (1.024)	16 (0.630)	100 (3.9)	30 (1.181)	20 (0.787)	400 (15.7)	210 (47145)	7.0 (15.42)
L-2540	30 (1.181)	16 (0.630)	110 (4.3)	33 (1.299)	24 (0.945)	400 (15.7)	250 (56125)	9.0 (19.82)
L-3040	32 (1.260)	18 (0.709)	110 (4.3)	39 (1.535)	26 (1.024)	400 (15.7)	300 (67350)	10.0 (22.03)
L-3055	32 (1.260)	18 (0.709)	200 (7.9)	39 (1.535)	26 (1.024)	550 (21.7)	300 (67350)	10.0 (22.03)
L-3075	32 (1.260)	18 (0.709)	250 (9.8)	39 (1.535)	26 (1.024)	750 (29.5)	300 (67350)	17.0 (37.44)
L-4255	38 (1.496)	24 (0.945)	250 (9.8)	45 (1.772)	30 (1.181)	550 (21.7)	420 (94290)	24.4 (53.74)
L-5040	38 (1.496)	30 (1.181)	110 (4.3)	45 (1.772)	33 (1.299)	400 (15.7)	500 (112250)	14.8 (32.60)
L-5045	42 (1.654)	32 (1.260)	250 (9.8)	45 (1.772)	39 (1.535)	450 (17.7)	500 (112250)	25.0 (55.07)
L-5060	38 (1.496)	32 (1.260)	250 (9.8)	45 (1.772)	39 (1.535)	600 (23.6)	500 (112250)	26.0 (57.27)
L-6045	42 (1.654)	32 (1.260)	200 (7.9)	51 (2.008)	39 (1.535)	450 (17.7)	600 (134700)	28.0 (61.67)
L-6050	42 (1.654)	32 (1.260)	250 (9.8)	51 (2.008)	39 (1.535)	500 (19.7)	600 (134700)	23.3 (51.32)
L-1660F	18 (0.709)	18 (0.709)	120 (4.7)	26 (1.024)	20 (0.787)	600 (23.6)	160 (35920)	9.7 (21.37)
L-3060F	32 (1.260)	22 (0.866)	120 (4.7)	39 (1.535)	26 (1.024)	600 (23.6)	300 (67350)	14.2 (31.28)
For 750kV lines								
L-8455	42 (1.654)	32 (1.260)	275 (10.8)	51 (2.008)	39 (1.535)	550 (21.7)	840 (188580)	32.57 (71.74)

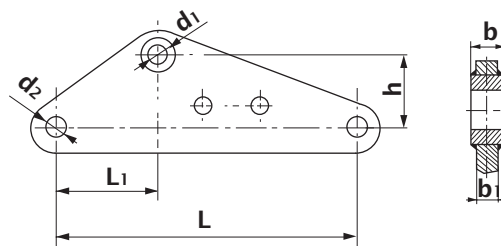
Material : Galvanized steel



32-4

Catalog Number	Dimensions mm (in)							Failure Load kN (LBS)	Weight kg (LBS)
	L	d1	d2	d3	b	b1	h		
L-2550	500 (19.7)	33 (1.299)	26 (1.024)	18 (0.709)	30 (1.181)	22 (0.866)	150 (5.9)	250 (56125)	10.0 (22.03)
L-2560	600 (23.6)	33 (1.299)	26 (1.024)	18 (0.709)	30 (1.181)	22 (0.866)	110 (4.3)	250 (56125)	13.8 (30.40)
L-3250	500 (19.7)	39 (1.535)	26 (1.024)	14 (0.551)	32 (1.260)	22 (0.866)	150 (5.9)	320 (71840)	22.0 (48.46)
L-4045	450 (17.7)	45 (1.772)	30 (1.181)	18 (0.709)	38 (1.496)	26 (1.024)	250 (9.8)	400 (89800)	25.0 (55.07)
L-4250	500 (19.7)	45 (1.772)	30 (1.181)	18 (0.709)	38 (1.496)	26 (1.024)	160 (6.3)	420 (94290)	18.1 (39.87)
L-1250G	500 (19.7)	24 (0.945)	18 (0.709)	18 (0.709)	16 (0.630)	16 (0.630)	120 (4.7)	120 (26940)	7.8 (17.18)
L-3050G	500 (19.7)	39 (1.535)	26 (1.024)	18 (0.709)	32 (1.260)	22 (0.866)	150 (5.9)	300 (67350)	20.0 (44.05)
L-4045G	450 (17.7)	45 (1.772)	30 (1.181)	18 (0.709)	38 (1.496)	26 (1.024)	175 (6.9)	400 (89800)	16.9 (37.22)
L-6450G	500 (19.7)	45 (1.772)	33 (1.299)	18 (0.709)	36 (1.417)	28 (1.102)	145 (5.7)	640 (143680)	30.0 (66.08)
L-8450G	500 (19.7)	51 (2.008)	39 (1.535)	18 (0.709)	36 (1.417)	32 (1.260)	200 (7.9)	840 (188580)	36.0 (79.30)
L-3245S	450 (17.7)	33 (1.299)	26 (1.024)	18 (0.709)	28 (1.102)	18 (0.709)	130 (5.1)	320 (71840)	9.2 (20.26)
L-3250S	500 (19.7)	33 (1.299)	26 (1.024)	18 (0.709)	28 (1.102)	18 (0.709)	130 (5.1)	320 (71840)	11.0 (24.23)
L-4245S	450 (17.7)	39 (1.535)	26 (1.024)	18 (0.709)	32 (1.260)	20 (0.787)	150 (5.9)	420 (94290)	11.2 (24.67)
L-4250S	500 (19.7)	39 (1.535)	26 (1.024)	18 (0.709)	32 (1.260)	20 (0.787)	150 (5.9)	420 (94290)	13.0 (28.63)
L-5045S	450 (17.7)	39 (1.535)	30 (1.181)	18 (0.709)	32 (1.260)	24 (0.945)	250 (9.8)	500 (112250)	19.4 (42.73)
L-6450S	500 (19.7)	45 (1.772)	33 (1.299)	18 (0.709)	36 (1.417)	28 (1.102)	145 (5.7)	640 (143680)	20.5 (45.15)
L-6450S1	500 (19.7)	45 (1.772)	39 (1.535)	18 (0.709)	36 (1.417)	32 (1.260)	160 (6.3)	640 (143680)	26.8 (59.03)
LT-1645	450 (17.7)	26 (1.024)	20 (0.787)	18 (0.709)	18 (0.709)	18 (0.709)	110 (4.3)	160 (35920)	7.9 (17.40)
LT-1650	500 (19.7)	26 (1.024)	24 (0.945)	14 (0.551)	22 (0.866)	22 (0.866)	110 (4.3)	160 (35920)	11.2 (24.67)
LT-2150G	500 (19.7)	26 (1.024)	20 (0.787)	18 (0.709)	20 (0.787)	20 (0.787)	130 (5.1)	210 (47145)	12.0 (26.43)

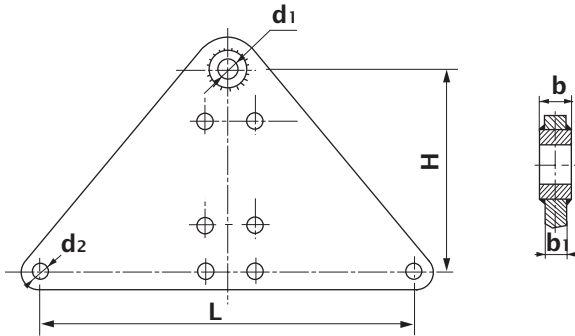
Material : Galvanized steel



32-5

Catalog Number	Dimensions(mm)							Failure Load kN (LBS)	Weight (kg)
	b	b1	h	d1	d2	L1	L		
L-2060	26 (1.024)	18 (0.709)	120 (4.7)	30 (1.181)	24 (0.945)	200 (7.9)	600 (23.6)	200 (44900)	11.8 (25.99)
L-3060	32 (1.260)	18 (0.709)	140 (5.5)	39 (1.535)	30 (1.181)	200 (7.9)	600 (23.6)	300 (67350)	16.7 (36.78)

Material : Galvanized steel

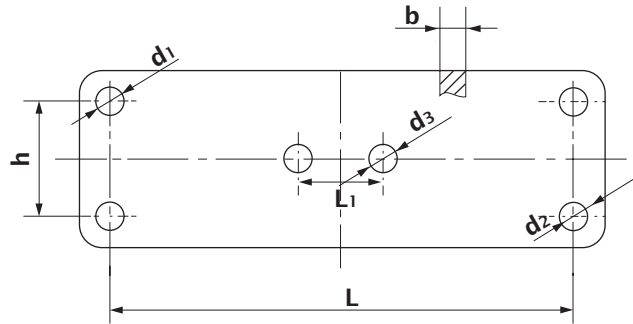


32-6

Catalog Number	Dimensions mm (in)						Failure Load kN (LBS)	Weight kg (LBS)
	b	b1	H	d1	d2	L		
L-1045	16 (0.630)	16 (0.630)	250 (9.8)	20 (0.787)	20 (0.787)	450 (17.7)	100 (22450)	11.0 (24.23)
LT-1245	16 (0.630)	16 (0.630)	250 (9.8)	24 (0.945)	20 (0.787)	450 (17.7)	120 (26940)	11.3 (24.89)
L-2145	26 (1.024)	16 (0.630)	250 (9.8)	30 (1.181)	20 (0.787)	450 (17.7)	210 (47145)	13.8 (30.40)
L-2155	26 (1.024)	16 (0.630)	250 (9.8)	30 (1.181)	20 (0.787)	550 (21.7)	210 (47145)	13.9 (30.62)
L-3045	32 (1.260)	18 (0.709)	250 (9.8)	39 (1.535)	26 (1.024)	450 (17.7)	300 (67350)	18.5 (40.75)
L-3050	32 (1.260)	18 (0.709)	250 (9.8)	39 (1.535)	26 (1.024)	500 (19.7)	300 (67350)	10.0 (22.03)
L-3245	26 (1.024)	16 (0.630)	180 (7.1)	30 (1.181)	24 (0.945)	450 (17.7)	320 (71840)	13.0 (28.63)
L-4260	30 (1.181)	20 (0.787)	180 (7.1)	33 (1.299)	24 (0.945)	600 (23.6)	420 (94290)	16.0 (35.24)
L-6060	36 (1.417)	26 (1.024)	180 (7.1)	39 (1.535)	30 (1.181)	600 (23.6)	600 (134700)	21.0 (46.26)
L-1645T	18 (0.709)	18 (0.709)	250 (9.8)	26 (1.024)	20 (0.787)	450 (17.7)	160 (35920)	15.0 (33.04)
L-6045T	42 (1.654)	32 (1.260)	250 (9.8)	51 (2.008)	39 (1.535)	450 (17.7)	600 (134700)	31.0 (68.28)
L-8450S	36 (1.417)	36 (1.417)	220 (8.7)	51 (2.008)	39 (1.535)	500 (19.7)	840 (188580)	37.6 (82.82)
L-8450S1	36 (1.417)	36 (1.417)	250 (9.8)	51 (2.008)	39 (1.535)	500 (19.7)	840 (188580)	35.0 (77.09)
L-2150GN	20 (0.787)	20 (0.787)	250 (9.8)	26 (1.024)	26 (1.024)	500 (19.7)	210 (47145)	21.0 (46.26)
L-3245GN	28 (1.102)	18 (0.709)	250 (9.8)	33 (1.299)	26 (1.024)	450 (17.7)	320 (71840)	17.6 (38.77)
L-4250G	32 (1.260)	20 (0.787)	250 (9.8)	39 (1.535)	26 (1.024)	500 (19.7)	420 (94290)	22.0 (48.46)
L-5045B	40 (1.575)	30 (1.181)	200 (7.9)	45 (1.772)	30 (1.181)	450 (17.7)	500 (112250)	17.4 (38.33)
LZ-6450TS	36 (1.417)	28 (1.102)	250 (9.8)	45 (1.772)	33 (1.299)	500 (19.7)	640 (143680)	26.0 (57.27)
L-8460S	36 (1.417)	32 (1.260)	250 (9.8)	51 (2.008)	39 (1.535)	500 (19.7)	840 (188580)	38.0 (83.70)

33. Yoke Plates (Type LF)

Material : Galvanized steel

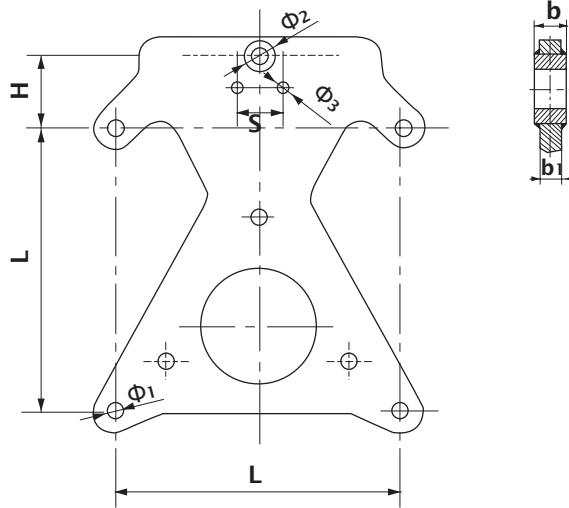


Catalog Number	Dimensions mm (in)							Failure Load kN (LBS)	Weight kg (LBS)
	b	h	d1	d2	L	d3	L1		
LF-2140	16 (0.630)	70 (2.756)	20 (0.787)	20 (0.787)	400 (15.7)	-- (-)	-- (-)	210 (47145)	5.5 (12.11)
LF-2540	16 (0.630)	110 (4.3)	24 (0.945)	24 (0.945)	400 (15.7)	-- (-)	-- (-)	250 (56125)	9.2 (20.26)
LF-3040	18 (0.709)	120 (4.7)	26 (1.024)	26 (1.024)	400 (15.7)	-- (-)	-- (-)	300 (67350)	11.2 (24.67)
LF-3045	18 (0.709)	100 (3.9)	26 (1.024)	26 (1.024)	450 (17.7)	18 (0.7)	80 (3.1)	300 (67350)	12.5 (27.53)
LF-3050	18 (0.709)	140 (5.5)	26 (1.024)	26 (1.024)	500 (19.7)	-- (-)	-- (-)	300 (67350)	16.5 (36.34)
LF-4050	26 (1.024)	250 (9.8)	30 (1.181)	30 (1.181)	500 (19.7)	18 (0.7)	80 (3.1)	400 (89800)	38.1 (83.92)
LF-4055	26 (1.024)	190 (7.5)	30 (1.181)	30 (1.181)	550 (21.7)	-- (-)	-- (-)	400 (89800)	26.6 (58.59)
LF-4245	26 (1.024)	120 (4.7)	30 (1.181)	30 (1.181)	450 (17.7)	-- (-)	-- (-)	420 (94290)	20.3 (44.71)
LF-4250	26 (1.024)	90 (3.5)	30 (1.181)	30 (1.181)	500 (19.7)	-- (-)	-- (-)	420 (94290)	14.0 (30.84)
LF-4260	20 (0.787)	190 (7.5)	24 (0.945)	24 (0.945)	600 (23.6)	18 (0.7)	80 (3.1)	420 (94290)	27.5 (60.57)
LF-5045	30 (1.181)	200 (7.9)	33 (1.299)	33 (1.299)	450 (17.7)	-- (-)	-- (-)	500 (112250)	36.7 (80.84)
LF-6455	28 (1.102)	250 (9.8)	33 (1.299)	33 (1.299)	550 (21.7)	-- (-)	-- (-)	640 (143680)	44.3 (97.58)
LF-8460S	32 (1.260)	200 (7.9)	39 (1.535)	39 (1.535)	600 (23.6)	-- (-)	-- (-)	840 (188580)	47.8 (105.29)
LF-10055	38 (1.496)	130 (5.1)	45 (1.772)	45 (1.772)	550 (21.7)	-- (-)	-- (-)	1000 (224500)	37.0 (81.50)
<b>For 750kV lines</b>									
LF-2055	16 (0.630)	250 (9.8)	20 (0.787)	26 (1.024)	550 (21.7)	-- (-)	-- (-)	210 (47145)	20.0 (44.05)
LF-4255	20 (0.787)	205 (8.1)	26 (1.024)	26 (1.024)	550 (21.7)	-- (-)	-- (-)	420 (94290)	28.37 (62.49)
LF-8455	32 (1.260)	120 (4.7)	26 (1.024)	26 (1.024)	550 (21.7)	-- (-)	-- (-)	840 (188580)	37.10 (81.72)



34. Yoke Plates (Type LX)

Material : Galvanized steel

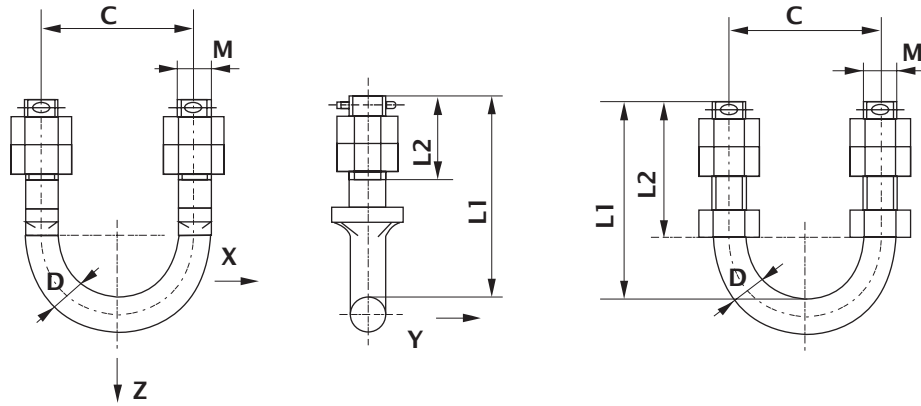


Catalog Number	Dimensions mm (in)								Failure Load kN (LBS)	Weight kg (LBS)
	L	H	Φ <sub>1</sub>	Φ <sub>2</sub>	Φ <sub>3</sub>	b	b <sub>1</sub>	S		
LX-1645	450 (17.7)	95 (3.740)	20 (0.787)	26 (1.024)	18 (0.709)	18 (0.709)	18 (0.709)	80 (3.150)	160 (35920)	18.5 (40.75)
LX-2145	450 (17.7)	95 (3.740)	18 (0.709)	30 (1.181)	-- (-)	26 (1.024)	18 (0.709)	-- (-)	210 (47145)	20.0 (44.05)
LX-2545	450 (17.7)	95 (3.740)	20 (0.787)	33 (1.299)	18 (0.709)	30 (1.181)	18 (0.709)	80 (3.150)	250 (56125)	25.5 (56.17)
LX-3045	450 (17.7)	95 (3.740)	26 (1.024)	39 (1.535)	14 (0.551)	32 (1.260)	18 (0.709)	80 (3.150)	300 (67350)	27.1 (59.69)
LX-3245	450 (17.7)	95 (3.740)	20 (0.787)	39 (1.535)	-- (-)	32 (1.260)	18 (0.709)	-- (-)	320 (71840)	27.4 (60.35)
LX-4245	450 (17.7)	100 (3.9)	22 (0.866)	39 (1.535)	18 (0.709)	22 (0.866)	22 (0.866)	60 (2.362)	420 (94290)	35.4 (77.97)
LX-1645A	450 (17.7)	95 (3.740)	20 (0.787)	26 (1.024)	18 (0.709)	18 (0.709)	18 (0.709)	80 (3.150)	160 (35920)	26.0 (57.27)
LX-2145S	450 (17.7)	95 (3.740)	18 (0.709)	26 (1.024)	18 (0.709)	20 (0.787)	16 (0.630)	80 (3.150)	210 (47145)	21.3 (46.92)
LX-2150S	500 (19.7)	95 (3.740)	18 (0.709)	26 (1.024)	18 (0.709)	20 (0.787)	16 (0.630)	80 (3.150)	210 (47145)	25.5 (56.17)
LX-3250S	500 (19.7)	95 (3.740)	20 (0.787)	33 (1.299)	18 (0.709)	28 (1.102)	18 (0.709)	80 (3.150)	320 (71840)	29.0 (63.88)
LX-4250S	450 (17.7)	95 (3.740)	20 (0.787)	39 (1.535)	18 (0.709)	32 (1.260)	18 (0.709)	80 (3.150)	420 (94290)	29.0 (63.88)
LX-6450S	500 (19.7)	95 (3.740)	20 (0.787)	45 (1.772)	18 (0.709)	36 (1.417)	18 (0.709)	80 (3.150)	640 (143680)	30.5 (67.18)



35. U-bolts

Material : Galvanized steel  
Cotters and Pin-Sainless steel



Catalog Number	Dimensions mm (in)					Rated Load (kN)			Failure Load kN (LBS)
	C	M	D	L1	L2	X	Y	Z	
U-1880	80 (3.150)	18 (0.709)	18 (0.709)	90 (3.5)	60 (2.362)	18	3.5	35	0.8 (180)
U-2080	80 (3.150)	20 (0.787)	20 (0.787)	100 (3.9)	70 (2.756)	18	5.3	35	1.1 (247)
U-2280	80 (3.150)	22 (0.866)	22 (0.866)	118 (4.6)	90 (3.543)	24	4.9	47	1.3 (292)
UJ-1880	80 (3.150)	18 (0.709)	18 (0.709)	105 (4.1)	50 (1.969)	24	7.4	47	0.9 (202)
UJ-2080	80 (3.150)	20 (0.787)	20 (0.787)	120 (4.7)	60 (2.362)	28	6.5	57	1.1 (247)
UJ-2280	80 (3.150)	22 (0.866)	22 (0.866)	127 (5.0)	65 (2.559)	28	10.8	57	1.4 (314)
UJ-1660	60 (2.362)	16 (0.630)	16 (0.630)	100 (3.9)	50 (1.969)	--	--	--	0.6 (135)
U-1660	60 (2.362)	16 (0.630)	16 (0.630)	90 (3.5)	60 (2.362)	--	--	--	0.6 (135)
U-1670	70 (2.756)	16 (0.630)	16 (0.630)	140 (5.5)	70 (2.756)	--	--	--	0.8 (180)
U-1680	80 (3.150)	16 (0.630)	16 (0.630)	122 (4.8)	80 (3.150)	--	--	--	0.6 (135)
U-1870	70 (2.756)	18 (0.709)	18 (0.709)	122 (4.8)	85 (3.346)	--	--	--	0.9 (202)
U-1880.1	80 (3.150)	18 (0.709)	18 (0.709)	122 (4.8)	80 (3.150)	--	--	--	0.9 (202)
U-2080.1	80 (3.150)	20 (0.787)	20 (0.787)	130 (5.1)	90 (3.543)	--	--	--	1.1 (247)
U-2090	90 (3.543)	20 (0.787)	20 (0.787)	145 (5.7)	90 (3.543)	--	--	--	1.4 (314)
U-20100	100 (3.937)	20 (0.787)	20 (0.787)	130 (5.1)	85 (3.346)	--	--	--	1.3 (292)
U-2280.1	80 (3.150)	22 (0.866)	22 (0.866)	138 (5.4)	95 (3.740)	--	--	--	1.4 (314)
UJ-2280.1	80 (3.150)	22 (0.866)	22 (0.866)	146 (5.7)	85 (3.346)	--	--	--	1.2 (269)

## JS Hardware sales specials:

Quality first

Immediate Technical Supports

Competitive Pricing

